



# Commercial Glass & Hardware



SPLENDOR  
GLASS

Glass Doors, Partitions, Sliding Systems, & Splendor Hardware

---

---

# Commercial Applications

---



## Modern Glass Solutions for Commercial Interiors

---

Splendor Glass provides comprehensive commercial glass and hardware solutions designed for a wide range of environments, including interior glass systems, offices, hospitality spaces, and high-traffic public interiors. By combining modern aesthetics with durability and performance, our systems are built to enhance visibility, improve flow, and create polished, professional spaces that support the needs of today's commercial environments.

Working alongside glazing contractors, architects, and business owners, we deliver integrated solutions that include all-glass entrances, glass office systems, glass partitions, glass sliding systems, and commercial hardware. Each system is engineered to meet the functional demands of commercial applications while maintaining a clean, contemporary architectural appearance.



### Glass Door Systems

---

Glass door systems form the foundation of modern commercial spaces, providing safe, durable, and visually striking access points. Using shared hardware platforms, these systems seamlessly adapt to all glass entrances to interior office applications, delivering consistent performance, transparency, and design continuity throughout a project.



## Glass Partitions

---

Glass partitions offer a versatile way to divide interior spaces while preserving openness and natural light. Used across offices, retail environments, restaurants, healthcare facilities, and hospitality settings, they create defined areas without the heaviness of traditional walls and can be customized with framing styles, acoustic options, or decorative finishes.



## Glass Sliding Systems

---

Glass sliding systems provide a sleek, space-saving alternative to traditional swing doors in commercial environments. Their streamlined, top-mounted designs improve traffic flow and maintain a clean, modern appearance, making them ideal for offices, conference rooms, and shared interior spaces.



## Splendor Hardware

---

Splendor offers a diverse selection of commercial hardware sourced from our own engineered products and other trusted suppliers. This makes Splendor Glass your comprehensive provider for all commercial project needs.

# Glass Door Systems

---

---

Glass door systems are interior commercial glass solutions designed for different types of spaces and applications. At Splendor Glass, these systems are divided into two main categories: All-Glass Entrances for primary entry points and Glass Office Systems for workplace and office environments.

## All Glass Entrances

---

An all-glass entrance is the perfect way to showcase your business. Its modern, clean design creates an open, welcoming atmosphere while allowing natural light to brighten the space and enhance the mood inside. Our glass entrances are built with durable materials and tempered glass for lasting strength, safety, and clear visibility.



### Various Configurations

---

At Splendor Glass, we offer a wide variety of configurations for both the layout and the door assembly. Whether it be a single or double door, patch fittings or rails, an all-glass enclosure or an octagonal layout, our all-glass entrances can take shape into whatever you need.



# Glass Office Systems

---

Our commercial hardware is designed to provide a versatile range of solutions for any space. Whether you're outfitting a small office, creating a modern conference room, or enhancing shared workspaces, the same high-quality hardware can be adapted to meet different needs. Its flexibility enables seamless integration across diverse environments, delivering both functionality and a clean, professional aesthetic in every application.



## Access Control

---

Keeping someone in or out has never been easier than with electronic access. Access control systems integrate seamlessly with commercial glass doors and hardware, allowing businesses to manage who enters their space while enhancing safety, convenience, and overall building security.



# Glass Partitions

---

---

Glass partitions have become a popular design element in modern architecture, both residential and commercial, allowing designers to create open, spacious environments. With their transparency and sleek appearance, glass partitions offer a sense of elegance and sophistication while also providing functionality, versatility, and fostering collaboration in the office.



## Applications

---

Glass partitions are used across a wide range of commercial environments to create structure without sacrificing openness or light. Their flexibility makes them suitable for both functional separation and visual enhancement in high-traffic and design-forward spaces.

- Offices and conference rooms
- Retail stores and showrooms
- Restaurants and cafés
- Customer queues and service areas
- Booth dividers and display features



# Glass Sliding Systems

---

---

Splendor Glass offers a variety of sliding door systems, our two most popular being the Compact and the Lagos. Both systems allow for fascia or soffit mount application. They can be used for just a single door, all the way up to large partition walls.

## Lagos

---

The Lagos system is a barn-style system that allows for multiple configurations and styles for your opening. The bar can span all the way from wall to wall up to 104" or be used in a smaller section to allow for a more frameless appearance. Designs will vary based on the application.

## Compact

---

The Compact is a frameless commercial door system. It has minimal metal, giving it a sleek, contemporary look. Offering a maximum door weight of 330 pounds, this partition can easily handle large doors. Soft break-open and close mechanism is also offered indoors over certain widths.



# Splendor Hardware



**Channel**

Conceal any minor installation imperfections for a cleaner finished look. Channel provides a sleek, minimal way to support fixed glass panels while enhancing the overall appearance of the system



**Continuous Header**

A single header that stretches across multiple glass panels and doors uninterrupted. Offers a unified look that makes an area appear more structurally sound and inviting as a whole.



**Patch Fittings**

See more from your glass when there is less metal in the way. For the true frameless experience, patch fittings offer a secure fit while maximizing space.



### Sliding Door Kits

A space-saving solution for commercial environments that is both easy to operate and to clean. Great for offices or tight fit areas where space is limited.



### Locks and Handles

Designed to balance security, ergonomics, and style. Available in multiple finishes and configurations, they complement both modern and traditional glass installations.



### Door Rails

Provide superior structural support, design flexibility, and ADA-compliant options while protecting doors from daily wear. They offer enhanced durability and can double as kick guards.

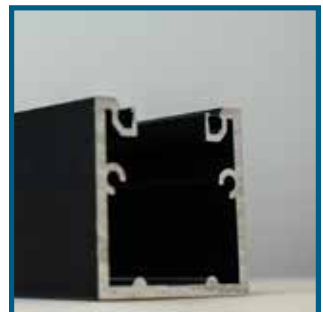
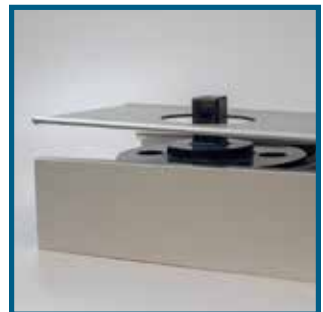
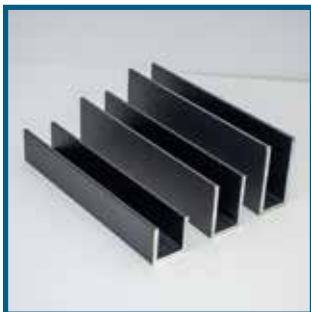
# Hardware Manufacturers



## Product Types

We offer a wide range of premium commercial hardware products to support every glass installation, including door rails, patch fittings, pivots, hinges, closers, locks, handles, sliding door systems, headers, channel, and access control systems. Our hardware selection is available in multiple finishes and configurations to meet both functional requirements and design preferences. This ensures that each project is built for durability, performance, and long-term reliability.

## Featured Parts



# Metal & Hardware Fabrication

## Fabricate, Cut, Assemble, & Install Ready... We do it All

At Splendor Glass we aim to make your life easier by doing the tedious stuff for you. To save you the hassle of glazing each piece of glass with our hardware, we fabricate and glaze hardware in house so it will be ready for install upon delivery.

- Cut, fabricate, & prepare headers
- Fabricate & install magnetic locks
- Assemble locks for turnkey installation
- Fabricate & install hydraulic hinges



## Custom Headers

Headers often only come in a limited variety of colors. With cladding you can add a splash of color of your choosing to any header.



## Sliding Door Kits

Sliding door kits are not pre-installed to prevent damage during shipping and handling.



## Glazing Services

We offer pre-glazing services that secure glass directly into door rails and patch fittings before shipment, allowing components to arrive ready for installation. Our glazing services include doors, rails, patch fittings, magnetic locking headers, concealed overhead closers, and panic handles.

\*Note, this is a chargeable service, it is not a necessity in order to purchase glass. Some restrictions apply.

# Design Configuration Services

We offer two levels of design services: complimentary configuration drawings for general layouts and visualization, and paid shop drawing services for detailed project specifications and hardware documentation.



## Configurations

Configurations are an overview drawing of the unit. This will include a 3D render of the items, parts, and various layouts.

## Shop Drawings

Shop drawings go into detail about every piece of hardware that is used, all the glass, and take-offs/deductions.

## Shop Drawing Example Title Page

The overview page lists the companies involved and allows people to stamp their approval.

A detailed shop drawing title page form. The form is divided into several sections: PROJECT NAME (Project location), ABC GLASS (1234 Main St, U.S., 123-456-7890), ARCHITECTS INFO (If available), and a large section for APPROVALS. The APPROVALS section includes a table for Subcontractors with columns for Name, Title, Date, and Signature. There are also sections for Project name, Drawing Subcontractor (ABC Glass, 1234 Main St), and a section for Check By, Checked By, and Date. The form is stamped with 'T.1' in the bottom right corner.

# Shop Drawing Example Schedule

The index of the document, breaking down the hardware that will be used.

Office 1			
Part Number	QTY	Description	Description Name
1000	1	1000-1000-1000-1000-1000	
1001	1	1001-1001-1001-1001-1001	
1002	1	1002-1002-1002-1002-1002	
1003	1	1003-1003-1003-1003-1003	
1004	1	1004-1004-1004-1004-1004	
1005	1	1005-1005-1005-1005-1005	
1006	1	1006-1006-1006-1006-1006	
1007	1	1007-1007-1007-1007-1007	
1008	1	1008-1008-1008-1008-1008	
1009	1	1009-1009-1009-1009-1009	
1010	1	1010-1010-1010-1010-1010	


  

Office 2			
Part Number	QTY	Description	Description Name
1000	1	1000-1000-1000-1000-1000	
1001	1	1001-1001-1001-1001-1001	
1002	1	1002-1002-1002-1002-1002	
1003	1	1003-1003-1003-1003-1003	
1004	1	1004-1004-1004-1004-1004	
1005	1	1005-1005-1005-1005-1005	
1006	1	1006-1006-1006-1006-1006	
1007	1	1007-1007-1007-1007-1007	
1008	1	1008-1008-1008-1008-1008	
1009	1	1009-1009-1009-1009-1009	
1010	1	1010-1010-1010-1010-1010	

GLASS SCHEDULE	
QTY	Description
1	1000-1000-1000-1000-1000



1131 S McCook Rd  
Bloomington, OH 43026  
Phone: 419-866-5647  
Fax: 419-866-9012  
www.spartanglass.com  
Engineering Stamp: If applicable

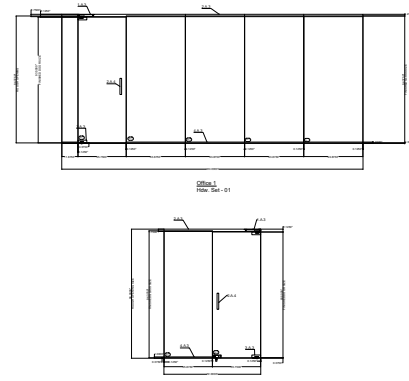
Project: \_\_\_\_\_  
"Project name": \_\_\_\_\_  
Drawing Subcontractor: \_\_\_\_\_  
ABC Glass  
1234 Main St  
Bloomington, OH 43026  
Phone: 419-866-5647  
Fax: 419-866-9012  
www.spartanglass.com  
Engineering Stamp: If applicable


Drawn By: DL  
Checked By: \_\_\_\_\_  
Date: \_\_\_\_\_

**A.1**

# Shop Drawing Example A2

Overview of doorways, call out key features, glass deductions, and glass sizes.



1131 S McCook Rd  
Bloomington, OH 43026  
Phone: 419-866-5647  
Fax: 419-866-9012  
www.spartanglass.com  
Engineering Stamp: If applicable

Project: \_\_\_\_\_  
"Project name": \_\_\_\_\_  
Drawing Subcontractor: \_\_\_\_\_  
ABC Glass  
1234 Main St  
Bloomington, OH 43026  
Phone: 419-866-5647  
Fax: 419-866-9012  
www.spartanglass.com  
Engineering Stamp: If applicable

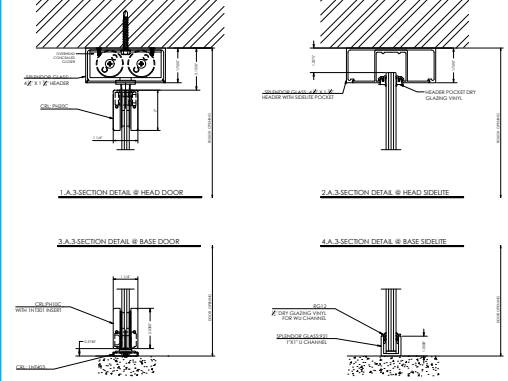
Drawn By: DL  
Checked By: \_\_\_\_\_  
Date: \_\_\_\_\_


**A.2**

# Shop Drawing Example A3

Detail pages, cut views of the hardware itself, and specifications required.

This example shows top and bottom support mounting for the hardware.



1131 S McCook Rd  
Bloomington, OH 43026  
Phone: 419-866-5647  
Fax: 419-866-9012  
www.spartanglass.com  
Engineering Stamp: If applicable

Project: \_\_\_\_\_  
"Project name": \_\_\_\_\_  
Drawing Subcontractor: \_\_\_\_\_  
ABC Glass  
1234 Main St  
Bloomington, OH 43026  
Phone: 419-866-5647  
Fax: 419-866-9012  
www.spartanglass.com  
Engineering Stamp: If applicable

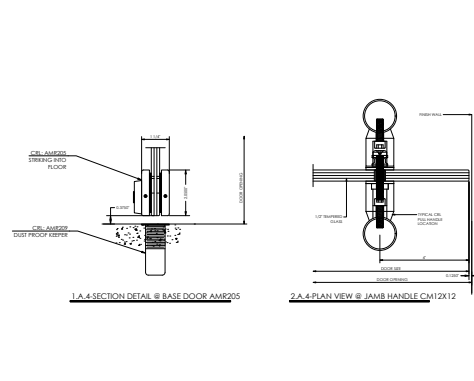
Drawn By: DL  
Checked By: \_\_\_\_\_  
Date: \_\_\_\_\_


**A.3**

# Shop Drawing Example A4

Detail pages, cut views of the hardware itself, and specifications required.

This example shows auxiliary pieces of the handle and lock that go into the floor, and how far they protrude.



1131 S McCook Rd  
Bloomington, OH 43026  
Phone: 419-866-5647  
Fax: 419-866-9012  
www.spartanglass.com  
Engineering Stamp: If applicable

Project: \_\_\_\_\_  
"Project name": \_\_\_\_\_  
Drawing Subcontractor: \_\_\_\_\_  
ABC Glass  
1234 Main St  
Bloomington, OH 43026  
Phone: 419-866-5647  
Fax: 419-866-9012  
www.spartanglass.com  
Engineering Stamp: If applicable

Drawn By: DL  
Checked By: \_\_\_\_\_  
Date: \_\_\_\_\_

**A.4**

# ADA Compliance

---

---

## What is ADA building compliance?

---

ADA building compliance means that all public and commercial facilities should be accessible to all Americans with disabilities. The compliance of a structure will include handicap access in the form of entrances, ramps, as well as the proper positioning and construction of specific products and uses.

## Key ADA Requirements

---

### Glass Door Rails

Tapered Door Rails are ADA-compliant because of their rounded/slanted edges, which help prevent wheelchair wheels from getting caught on the rails.

### Opening Force

The maximum 5 lbf applies to all accessible doors and gates except: fire doors, exterior hinged doors, latched bolts, and other devices that keep gates closed..

### Clear Width

The clear width is measured from the stop to the face of doors or gates open 90° (or to the leading edge of sliding or folding doors. No projection into the clear width permitted 34°.

## Why ADA Compliance Matters

---

### *Its More Than Just Red Tape*

---

Everyone should be able to operate interdependently, and by enabling accessibility, we are one step closer to making that a reality. Thoughtful design removes barriers, improves everyday experiences, and reflects a business's commitment to inclusivity, professionalism, and long-term responsibility. There is more to accessibility than just compliance with regulations.

There are several ways we can help ensure people feel more accommodated. One effective step is choosing ladder pull handles for doors. These handles are easier for individuals with limited arm mobility to use, as they allow doors to be opened using body weight rather than requiring full arm strength.





<i>Quote Name or PO:</i>	
Glass: <input type="radio"/> 3/8" <input type="radio"/> 1/2"	Type:
Finish: <input type="radio"/> MBL <input type="radio"/> DU <input type="radio"/> SA/CA <input type="radio"/> BS <input type="radio"/> PS	Other:

Closer: <input type="radio"/> 90 <input type="radio"/> 105 <input type="radio"/> Hold Open <input type="radio"/> No Hold Open <input type="radio"/> CRL380 Bottom Hydraulic
Pull: Size: <input type="radio"/> 12" <input type="radio"/> 24" <input type="radio"/> 36" <input type="radio"/> 48" Type: <input type="radio"/> C Pull <input type="radio"/> Offset <input type="radio"/> Ladder
Mag Lock: <input type="radio"/> Yes <input type="radio"/> No <i>If yes then:</i> <input type="radio"/> Surface Mount <input type="radio"/> Mortised (SAM)
Is Flooring Installed? <input type="radio"/> Yes <input type="radio"/> No

**Door**

Top: <input type="radio"/> Patch <input type="radio"/> Full Rail	Rail Options: <input type="radio"/> Square <input type="radio"/> Tapered
Bottom: <input type="radio"/> Patch <input type="radio"/> Full Rail	Rail Options: <input type="radio"/> Square <input type="radio"/> Tapered
Lock: <input type="radio"/> Bottom Rail <input type="radio"/> Patch	Patch Options: <input type="radio"/> Center <input type="radio"/> Bottom <input type="radio"/> Keyed Diff. <input type="radio"/> Keyed Alike <input type="radio"/> None

**Panel**

Header: <input type="radio"/> 4 <sup>3/4</sup> " x 1 <sup>3/4</sup> " <input type="radio"/> 4" x 1 <sup>3/4</sup> " <input type="radio"/> 1" x 1 <sup>3/4</sup> " Channel <input type="radio"/> Header with Rail	Options: <input type="radio"/> Tapered <input type="radio"/> Square
SILL: <input type="radio"/> 4" <input type="radio"/> Tapered <input type="radio"/> Square	<input type="radio"/> 1" x 1" U Channel <input type="radio"/> 1" x 1 <sup>1/2</sup> " U Channel <input type="radio"/> 1" x 2" Channel <input type="radio"/> 1 <sup>5/8</sup> " x 1 <sup>5/8</sup> " Channel
JAMB: <input type="radio"/> 1" x 1" U Channel <input type="radio"/> 1 <sup>5/8</sup> " x 1 <sup>5/8</sup> " Channel <input type="radio"/> None	

**Notes/Sketch:**

\*Splendor Glass follows GANA Regulations and defaults to ADA Compliance, unless otherwise specified.



**SPLENDOR  
GLASS**

**419-866-5667**

[www.splendorglass.com](http://www.splendorglass.com)

1133 S. McCord RD. Holland, OH 43528