

INSTALLATION INSTRUCTIONS

SHOWER DOORS

MODELS: GEM6075
GEM6080

PREPARATION

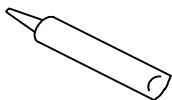
1. WE STRONGLY RECOMMEND THAT A LICENSED AND INSURED PROFESSIONAL CONTRACTOR TO INSTALL THIS PRODUCT INCLUDING THE ASSISTANCE OF A SECOND PERSON DURING INSTALLATION.
2. After opening all boxes and packages, read this introduction carefully. Check that all of the needed parts are included in the package by marking all the components on the "Detailed Diagram of Shower Door Components". Examine boxes and packages for shipping damage. If the unit has been damaged, has a finishing defect, or is missing parts, please contact our customer support department to be served immediately. Please note that Splendor Shower Door will not replace any damaged products or missing parts free of charge after 5 business days or if the product has been installed. Feel free to contact Splendor Shower Door if you have any questions.
VERY IMPORTANT: Please double check the glass corner and four edges of the glass doors to make sure the glass is in perfect condition and without any breakage. Please do not try to install the shower door if there is breakage to the glass corner.
3. Please note that you should consult your local building codes with questions on installation compliance standards. Building and plumbing codes may vary by location, and Splendor Shower Door is not responsible for code compliance standards for your project and will not accept any returns.
4. Prior to installation, ensure that the installation surface is leveled and solid and will be able to support the total weight of the unit. Also, make sure the walls are at the right angles. Irregular installation surface level or improper angle of side walls will result in serious problems during installation. Please, note that some adjustments and drilling might be necessary during the installation process.
5. **NOTE!** This door does not have out-of-plumb adjustment. Make sure your walls are at right angles.
6. This door requires a minimum 3" wide threshold, base or installation space. Please note that Step 6 calls for installation of the door to the wall using anchors. However, the manufacturer strongly recommends installing these heavy doors to the studs or to preinstalled 2" x 4" wood reinforcements behind the wall and attach the Wall brackets to it.

ATTENTION: THIS DOOR IS EXTREMELY HEAVY AND REQUIRES PROFESSIONAL INSTALLATION. INSTRUCTIONS ARE GIVEN FOR THE SHOWER DOOR INSTALLATION. PLEASE, FOLLOW THE SAME INSTRUCTIONS TO INSTALL THE TUB DOOR IF IGNORED, COULD RESULT IN DEATH OR SERIOUS PERSONAL INJURY CAUSED BY INCORRECT HANDLING OR INSTALLATION OF THE PRODUCT. THESE INSTRUCTIONS MUST BE OBSERVED FOR SAFE INSTALLATION.

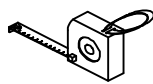
TOOLS REQUIRED



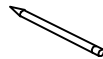
Soft Cloth
or Blanket



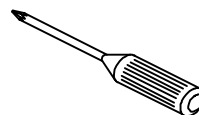
Caulk



Tape
Measure



Pencil



Phillips
Screwdriver



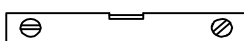
Drill Bit
(Ø=5/16")



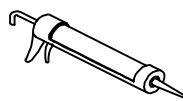
Drill Bit
(Ø=3/8")



Safety Glass



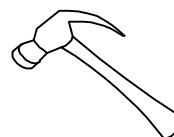
Level



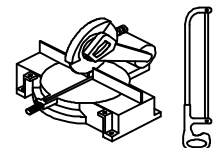
Caulk Gun



Drill

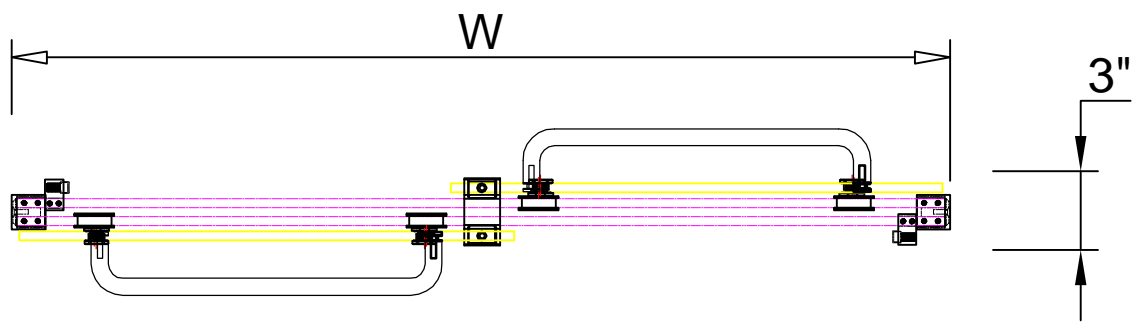
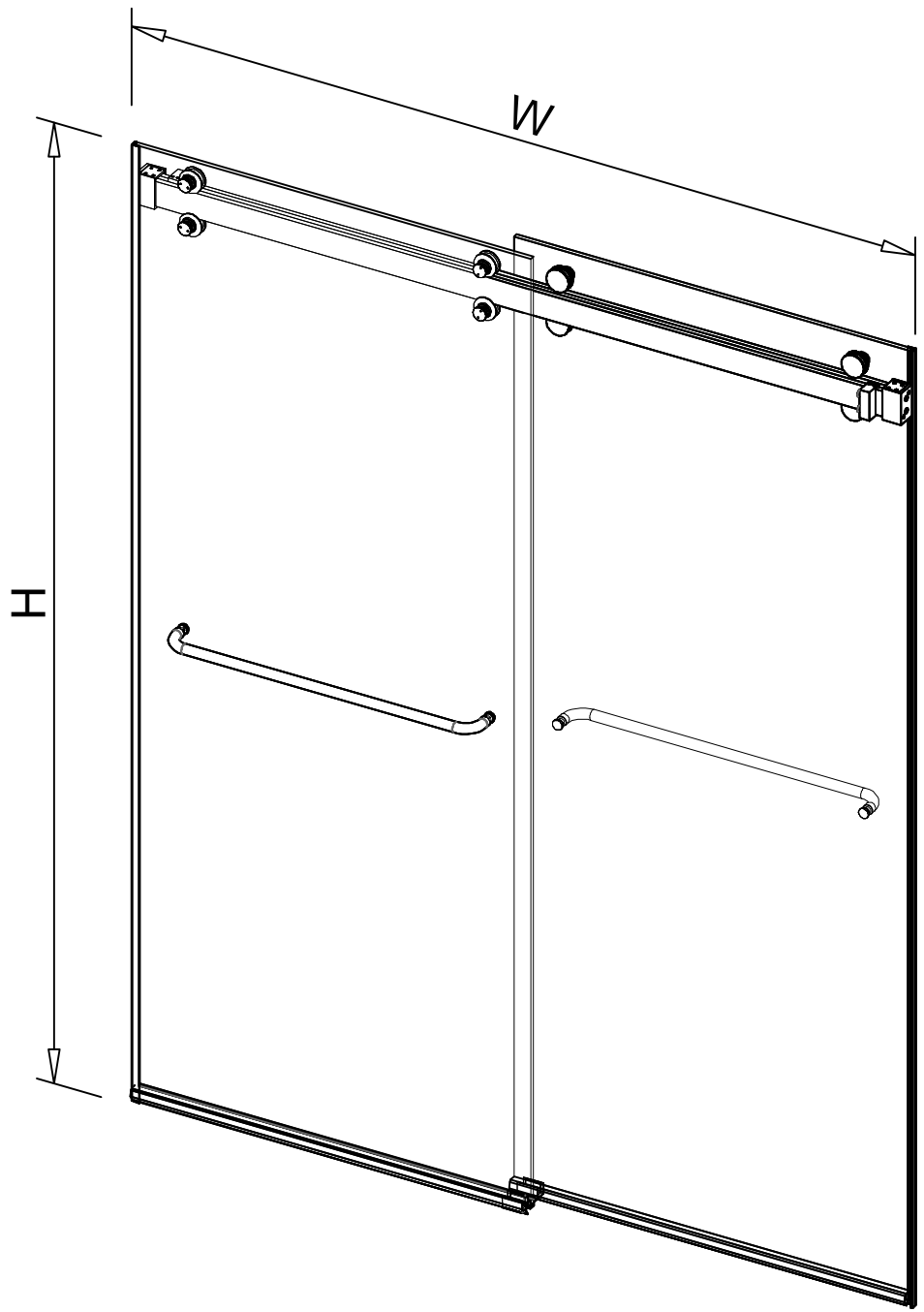


Hammer

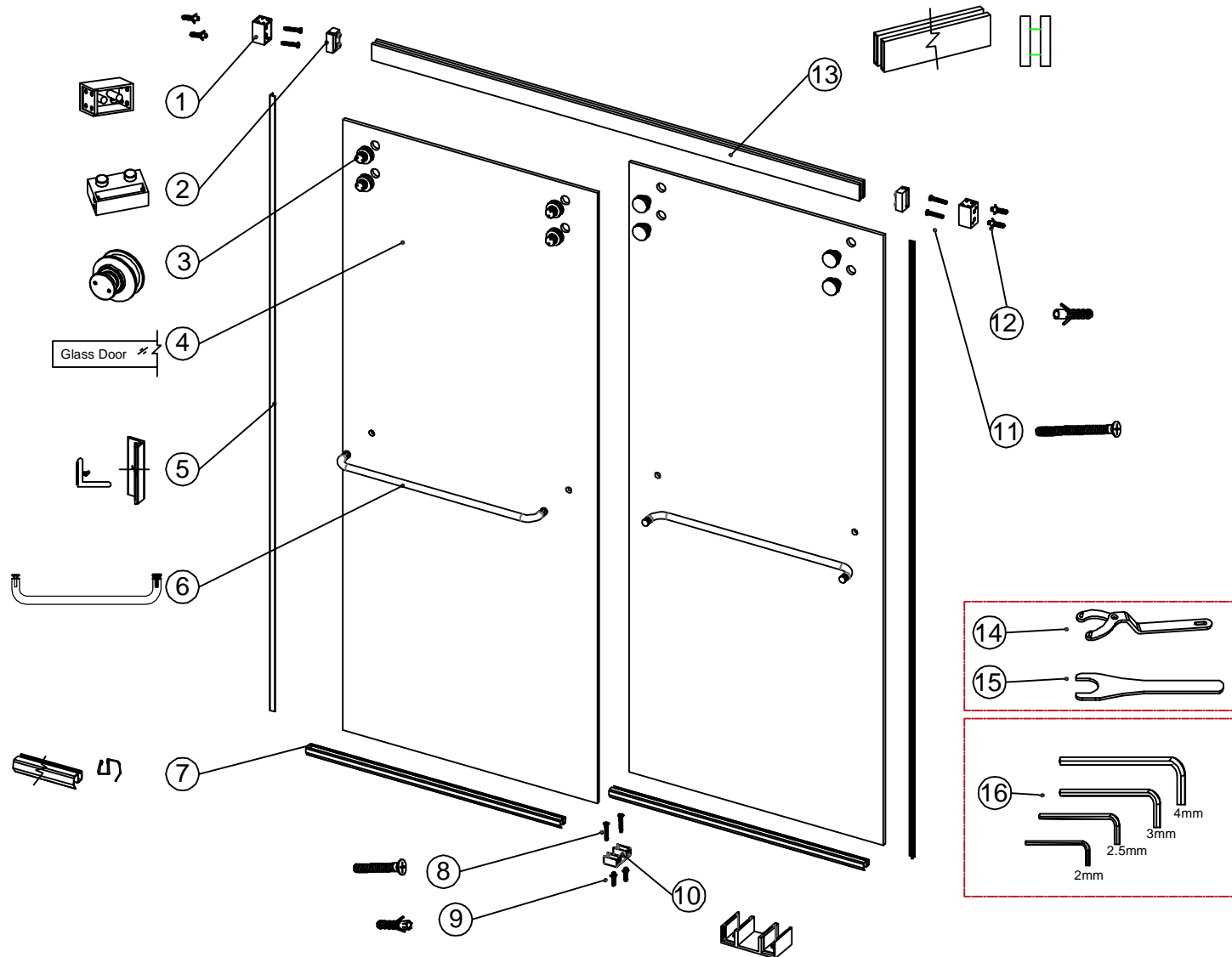


Miter Saw
or Hacksaw

OTHER TOOLS MAY BE REQUIRED



Threshold Requirement (Size): 3"



No.	Description	QTY	No.	Description	QTY
1	Header Holder (fittings for wall)	2 pcs	12	Ø10mm(Ø3/8") Wall Anchor	4 pcs
2	Glass Door Stopper	2 pcs	13	Header Bar	1 pc
3	Roller	2 pcs	14	Adjustment Key	1 pc
4	Glass Door	2 pcs	15	Spanner	1 pc
5	L Seal	2 pcs	16	Allen Key	4 pcs
6	Towel Bar	2 pcs	17		
7	Bottom Sweep	2 pcs	18		
8	Screw M5X30	2 pcs	19		
9	Ø8mm(Ø5/16") Wall Anchor	2 pcs	20		
10	Bottom Guide	1 pc	21		
11	Screw M6X60	4 pc	22		

1. Measure the distance between two finished walls. This distance is marked as W.

Please see Fig 1 for details:

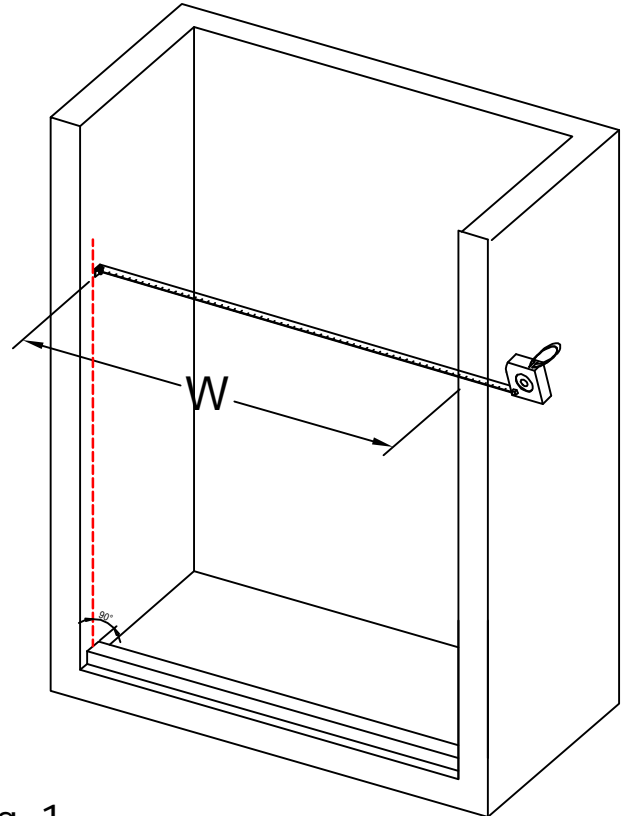
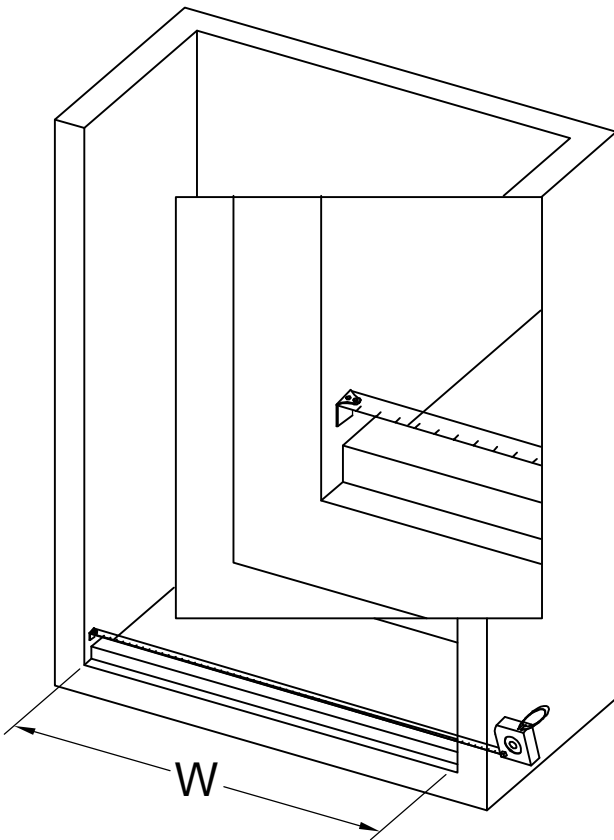
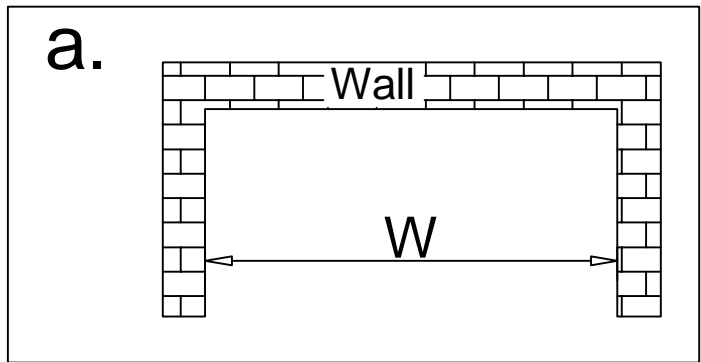
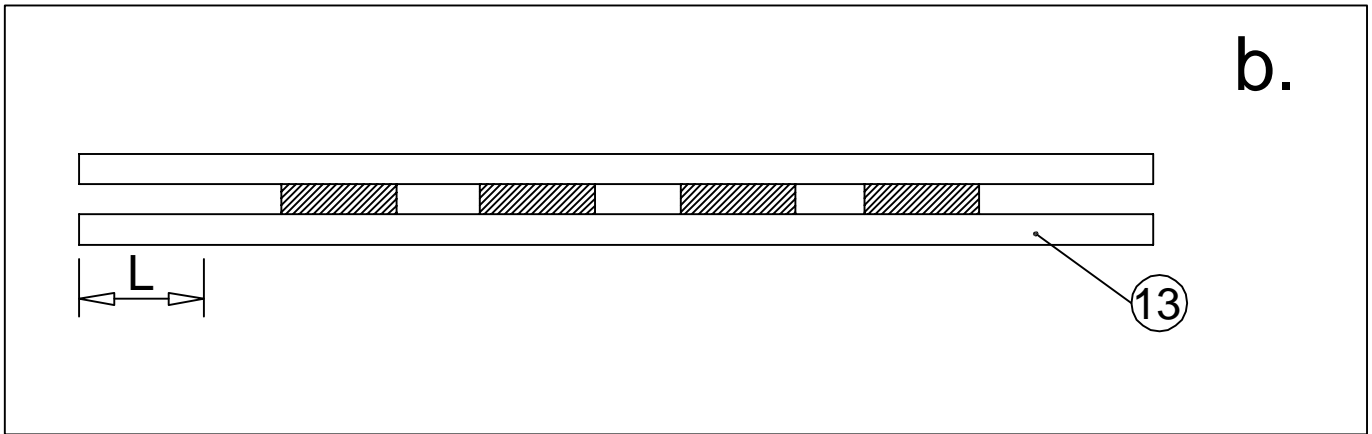
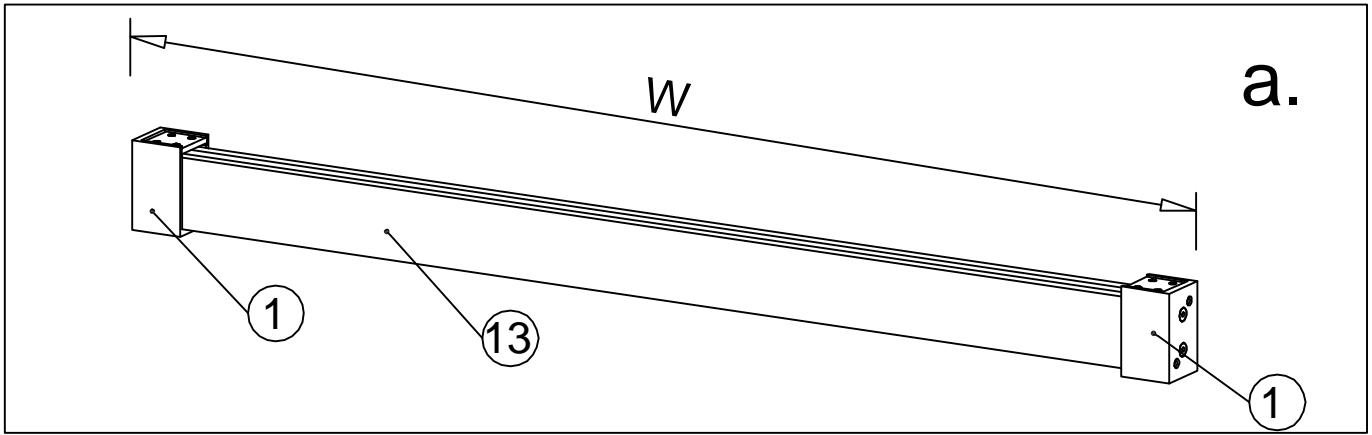


Fig 1



2. Your Upper Guide Rail (13) has been precut for your Shower model opening width: 48" or 60" or 73" for shower width. If W-width of your wall-to-wall opening is equal to the size of your Shower model, it is unnecessary to cut the Upper Guide Rail and you can continue to Step 3. If W-width of your wall-to-wall opening is less than the size of your Shower model, you will need to cut the Upper Guide Rail. The length to cut off will be L: $L = \text{Shower model size} - W$. For example, if your shower model is 48" and W=47", $L = 48 - 47 = 1$, you have to cut 1" off from the rail.

FOR EXAMPLE
 If your wall opening $W=47"$. Your shower model is 48".
 $L=48"-47"=1"$,
 You have to cut 1" off from the rail.

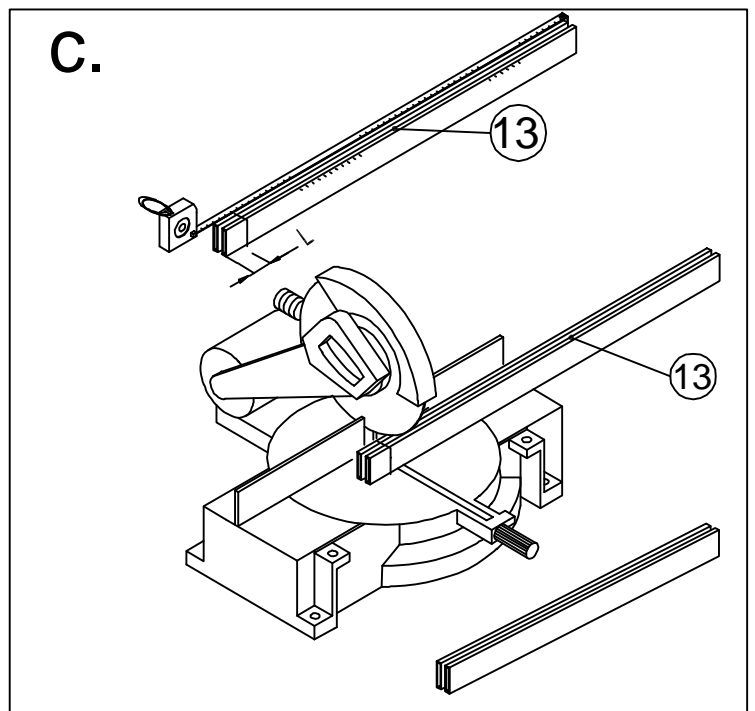


Fig 2

See Fig. 2 for details.

3. Take off the Cover from the Header Holder (1) and place the Header Holder to the wall, make sure that the Header Holder is at 90 degree to the wall. Make sure that the distance from the bottom of the Header Holder to the shower base is H (height of the shower door) - $4 \frac{13}{16}$ ". Make sure the shower base width will be no less than 3". The centre of Header Holder should align with the centre of the shower base.

Outline the position of the Header Holder and mark down the drilling holes position on the wall.

The height of Door will be marked on front of box. You can also measure glass height and add $\frac{3}{8}$ " to get unit height.

Please see Fig 3 for details

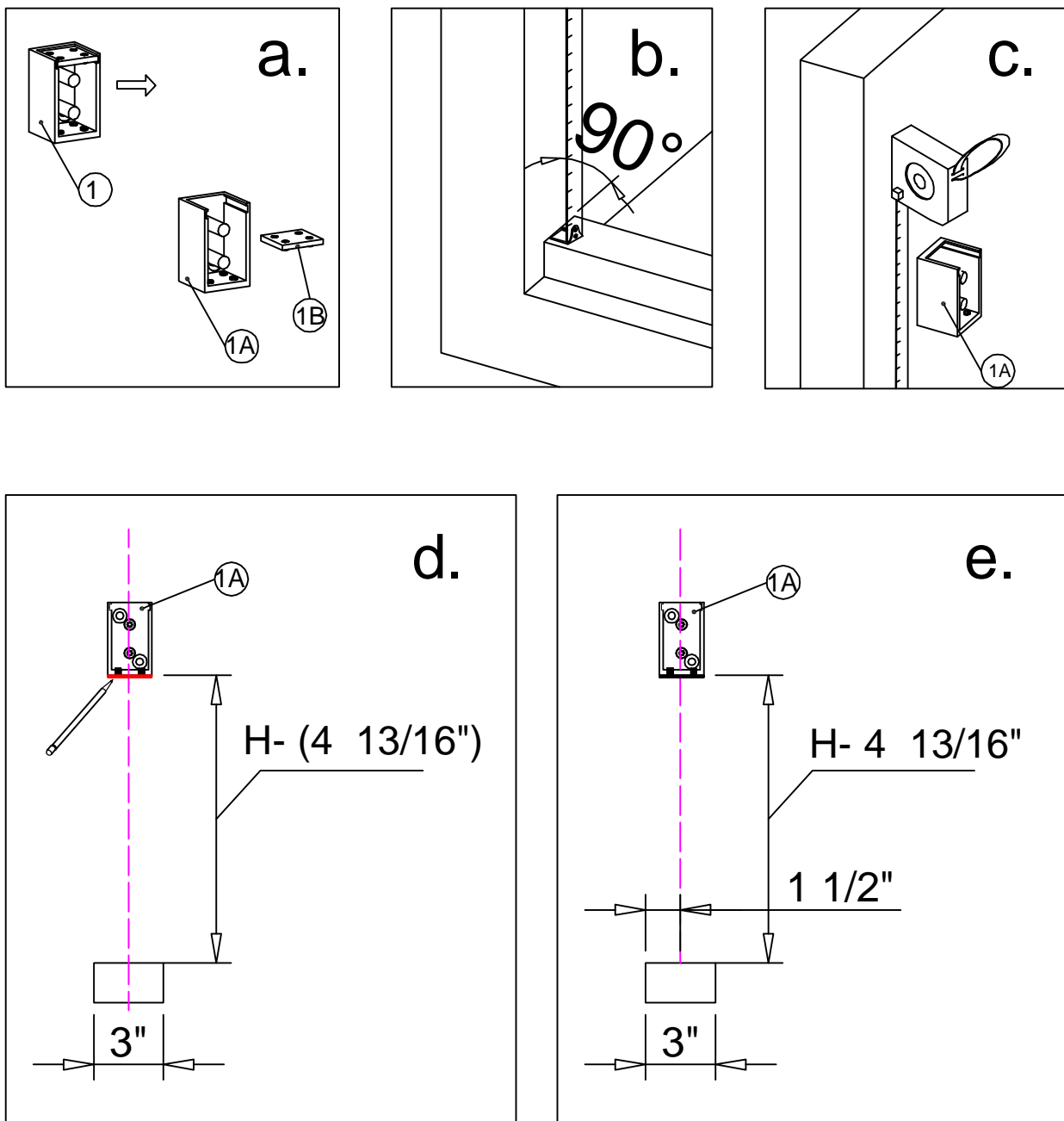


Fig 3

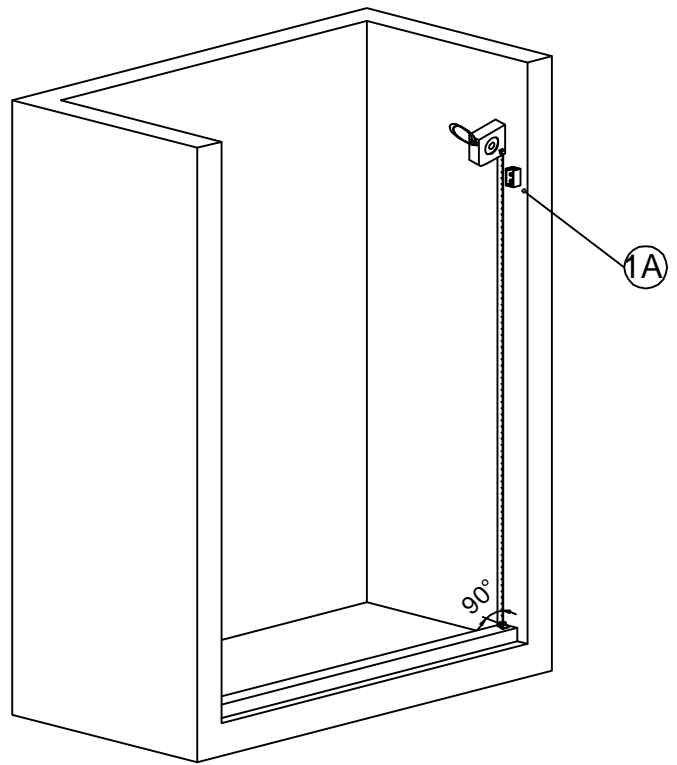
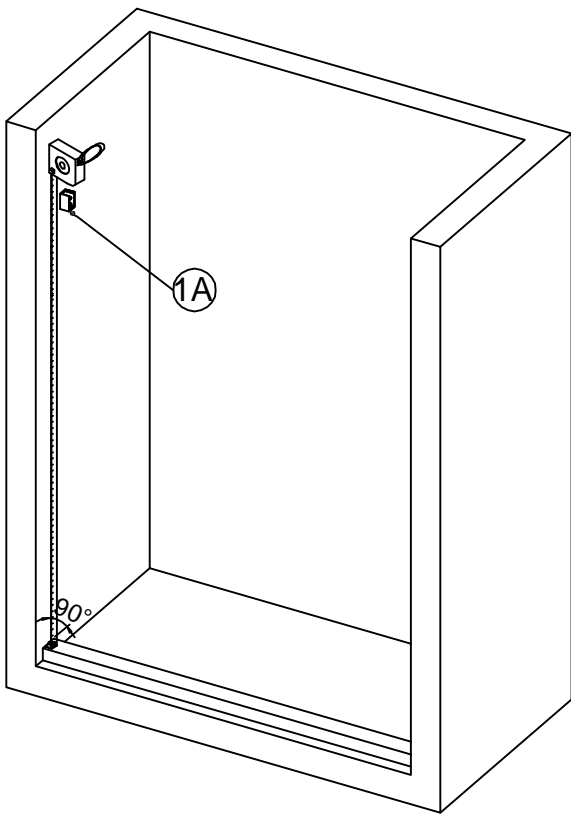
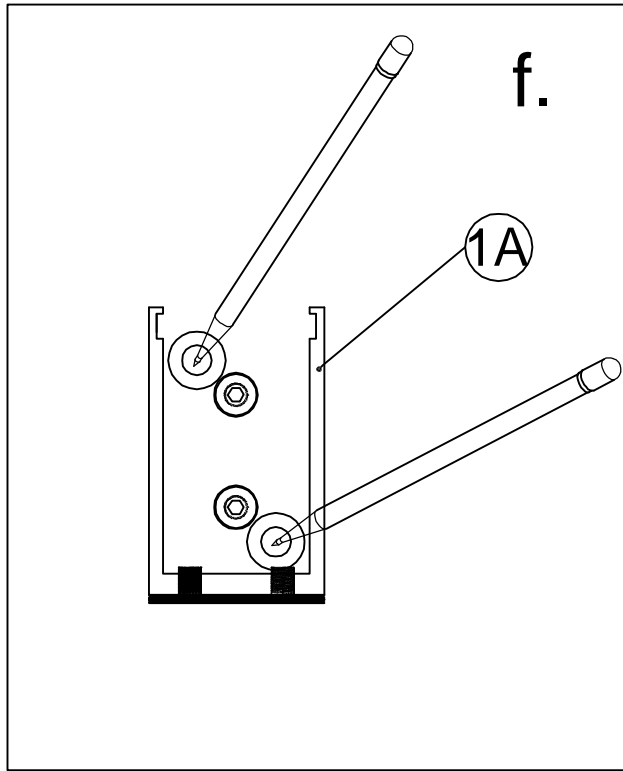


Fig 3

4. Drill the holes on the wall using $\varnothing 10\text{mm}(\varnothing 3/8\text{'})$ drill bit and apply silicone into the holes, insert the Wall Anchors (12).

Install the Header Holder (1) to the wall using the Screw M6 \times 60 (11).

Please see Fig 4 for details

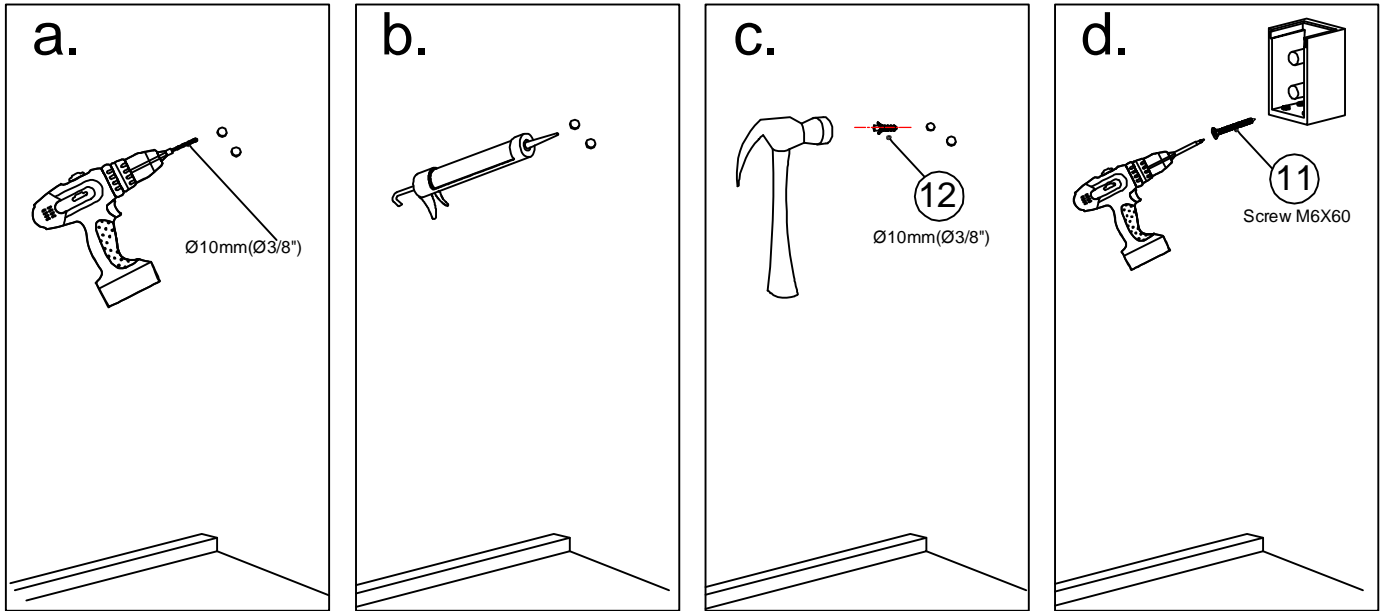


Fig 4

Note:

The other side of the Header Holder (1) is installed in the same way.

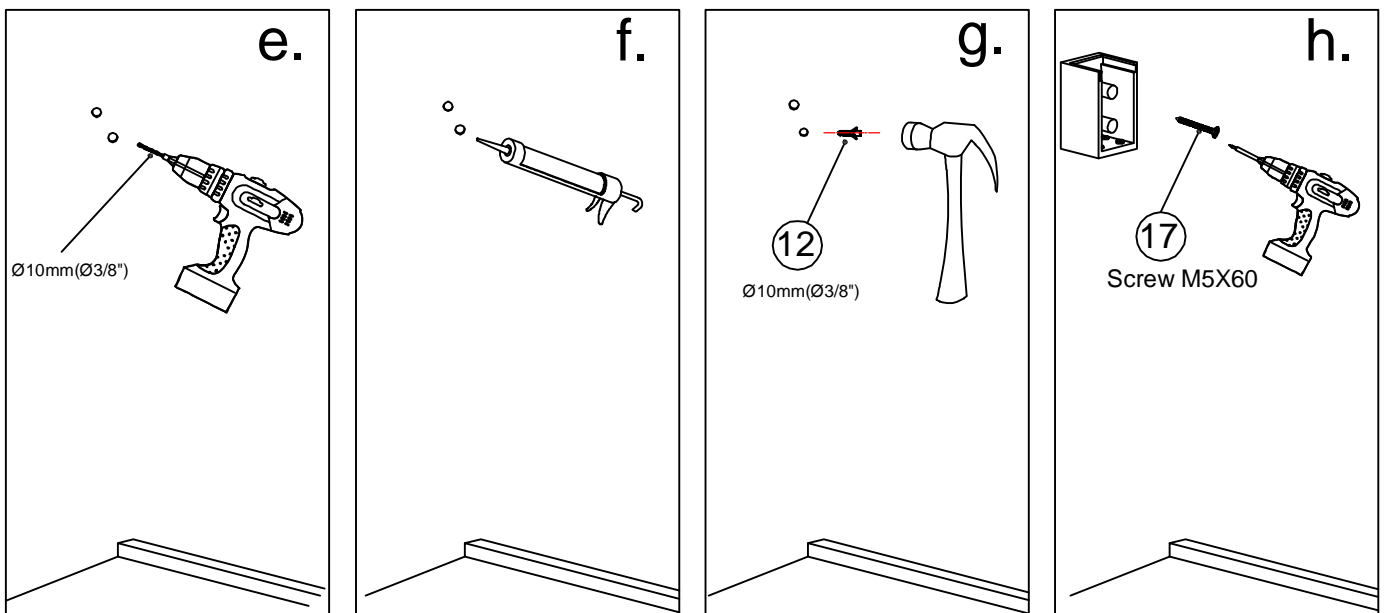
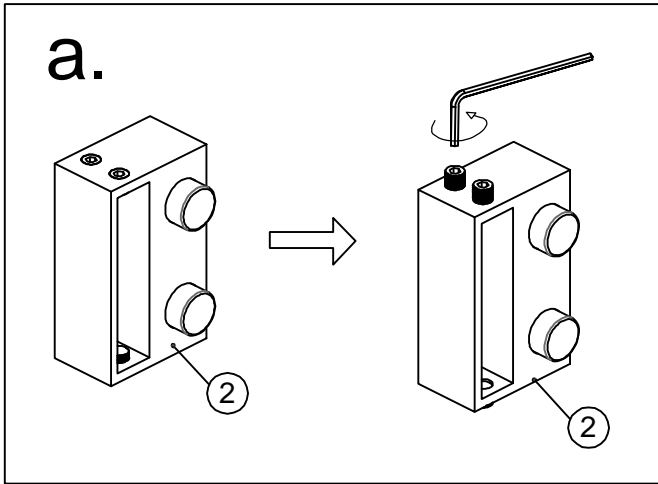


Fig 4



5. Use the Allen Key (16) to loose the screw on the Glass Door Stoppers (2), slide the Glass Door Stopper to the Header Bar (13). Use the Allen Key to tighten the parts to the Header Bar temporarily.

Please see Fig 5 for details

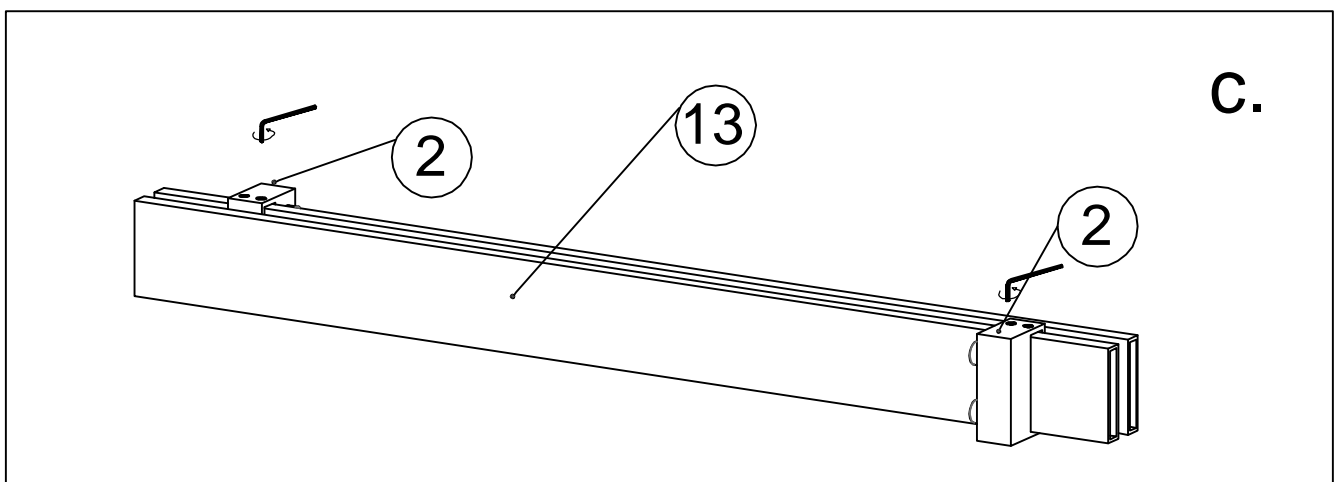
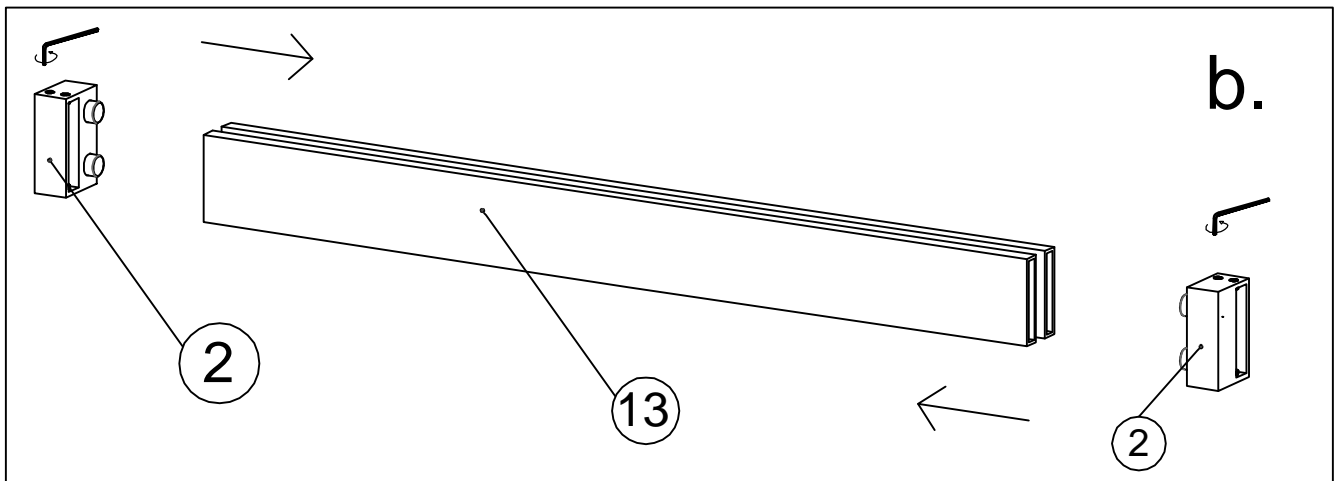
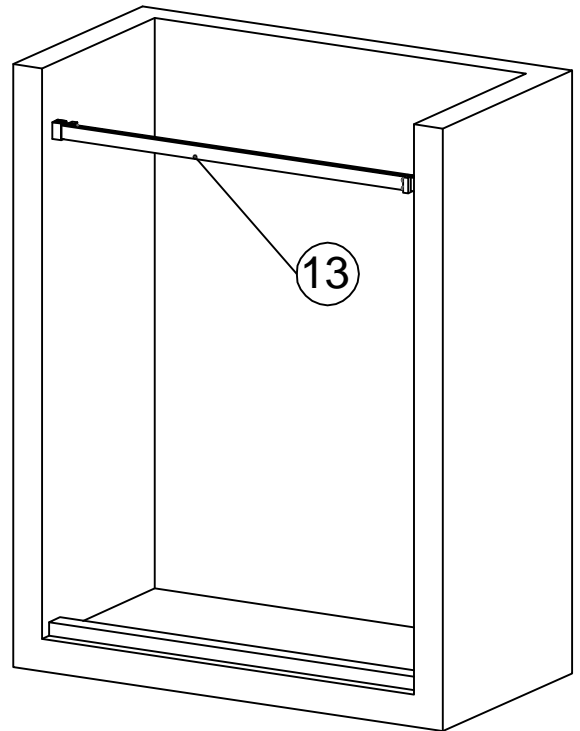
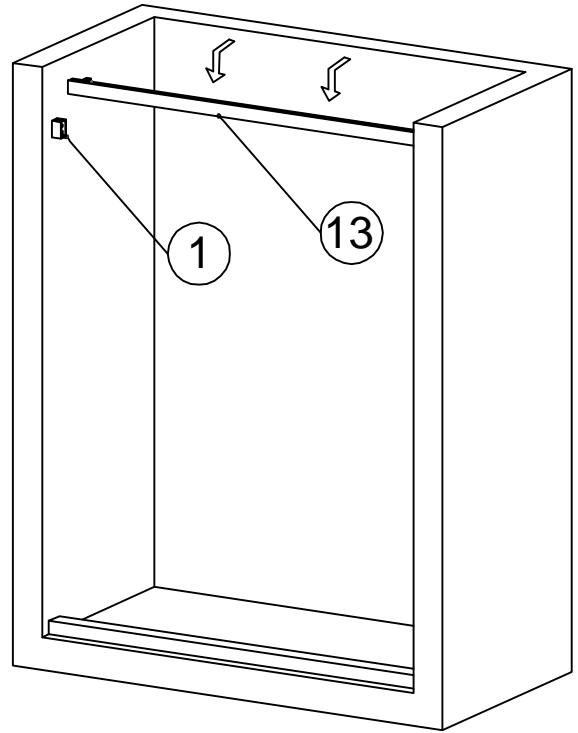
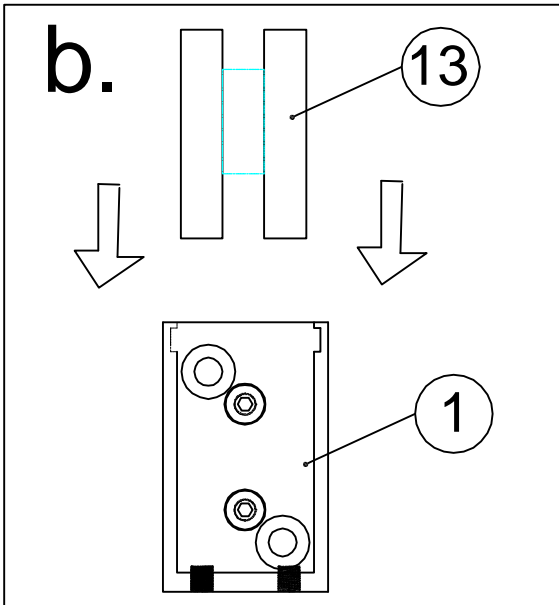
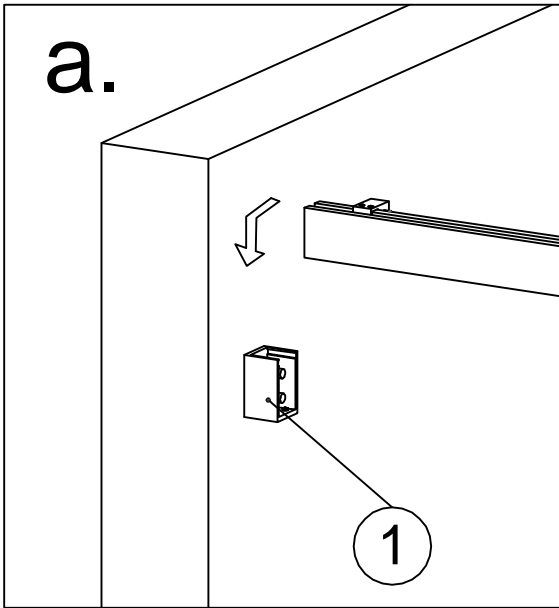


Fig 5



6. Place the Header Bar (13) into the Header Holder (1) and make sure that the Header Bar is staying tightly inside the Header Holder.

Please see Fig 6 for details

Fig 6

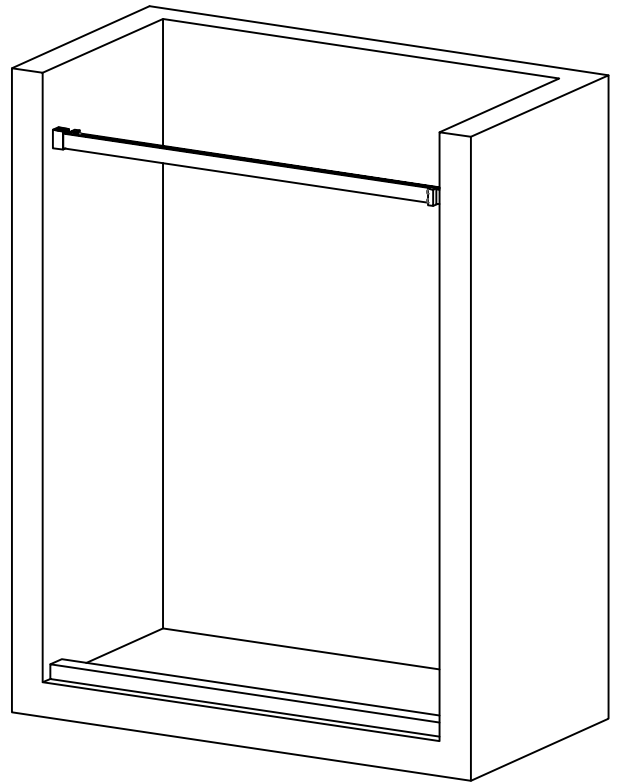
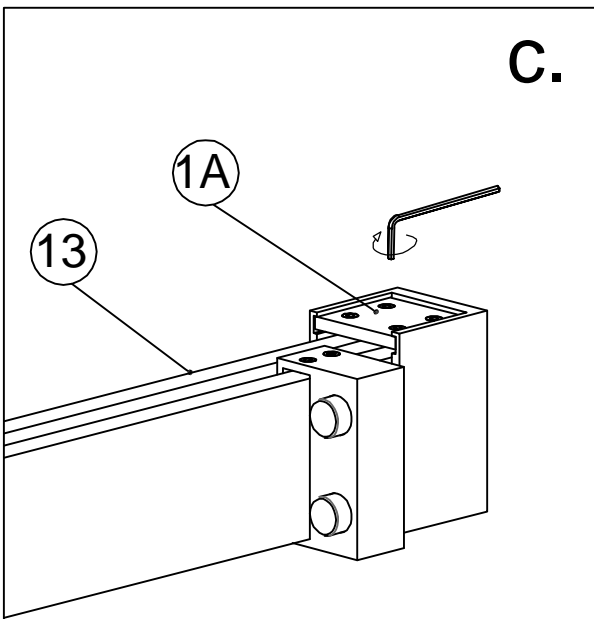
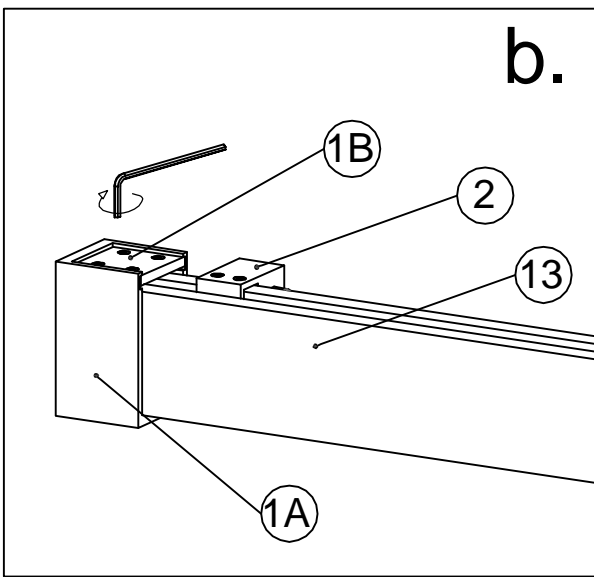
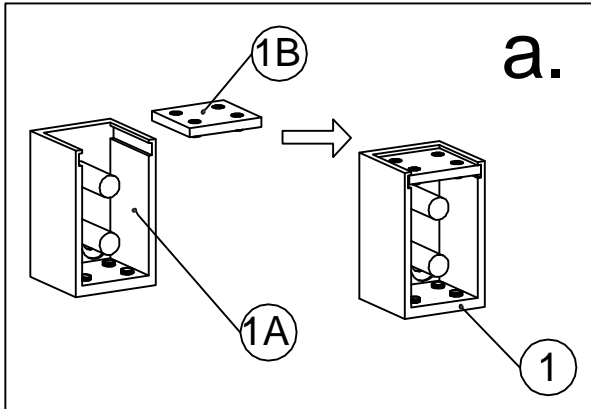


Fig 7

7. Place the Cover of the Header Holder (1) back to the Header Holder, use Allen Key (16) to tighten the cover to the Holder. Make sure that the Header Bar (13) is secured tightly inside the Header Holder.

Please see Fig 7 for details

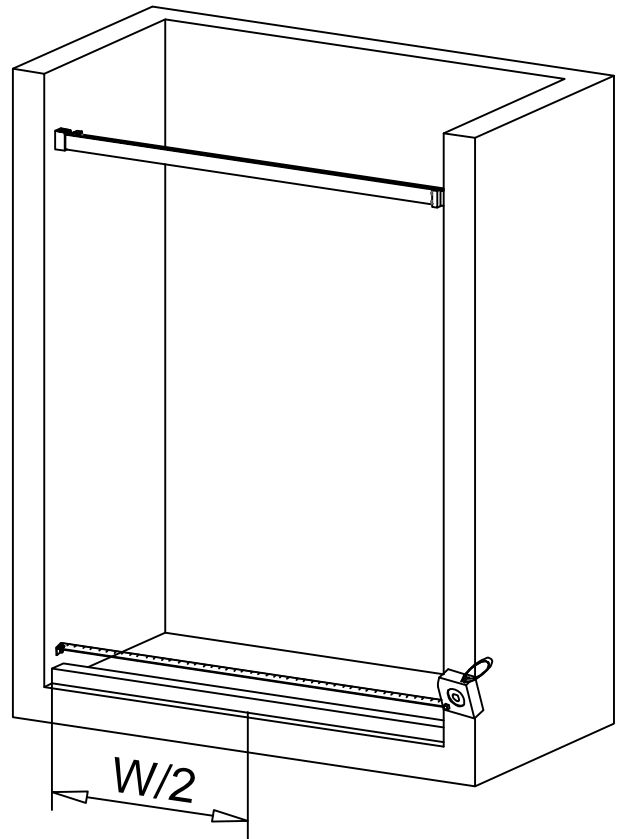
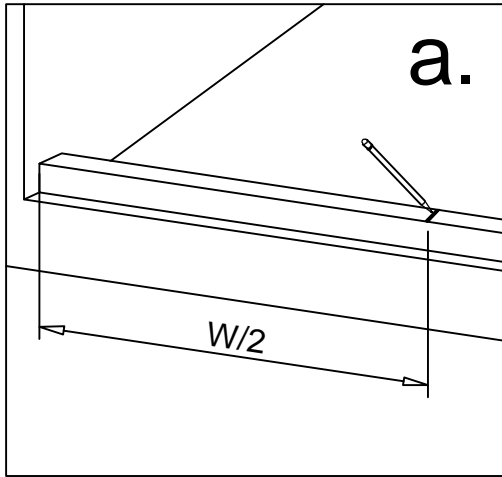
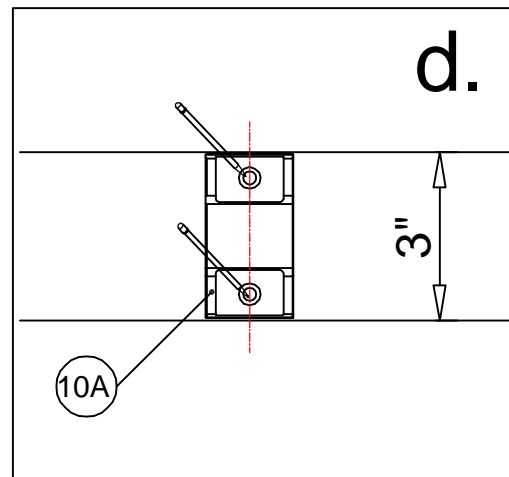
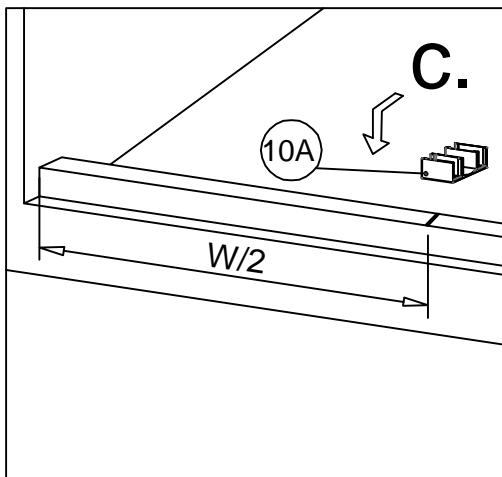
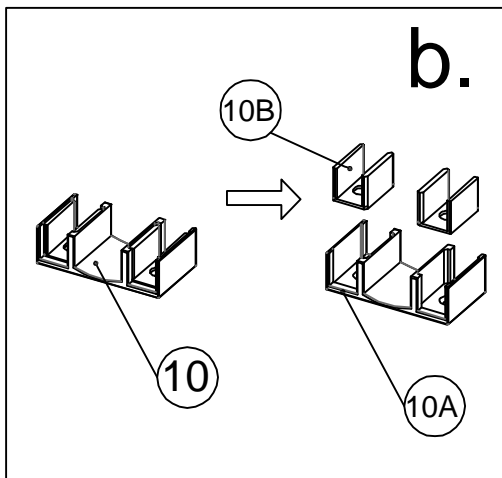


Fig 8



8. The shower door width is W , at $W/2$, use a marker to mark down the location. Take off the Guide Insert from the Bottom Guide (10). Place the Bottom Guide on the marking location and now mark the drilling holes on the shower base.

Please see Fig 8 for details

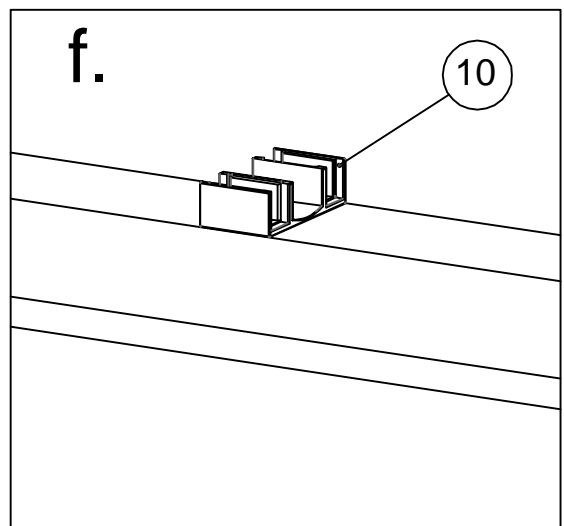
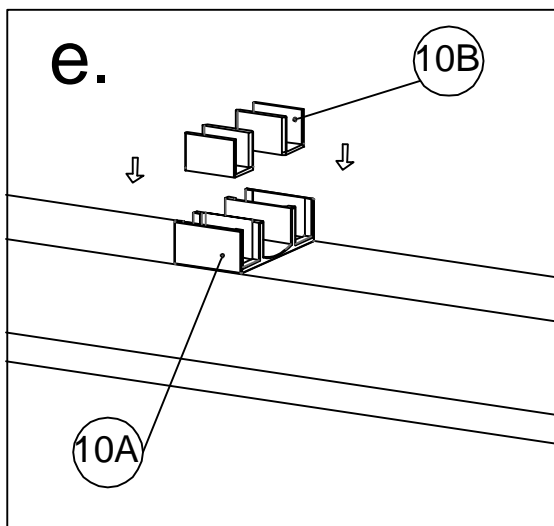
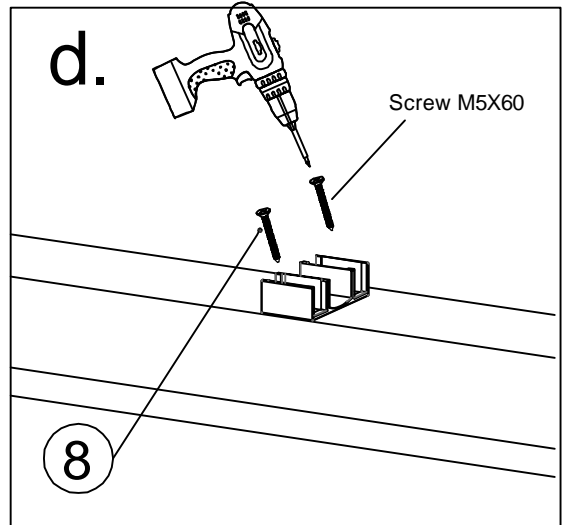
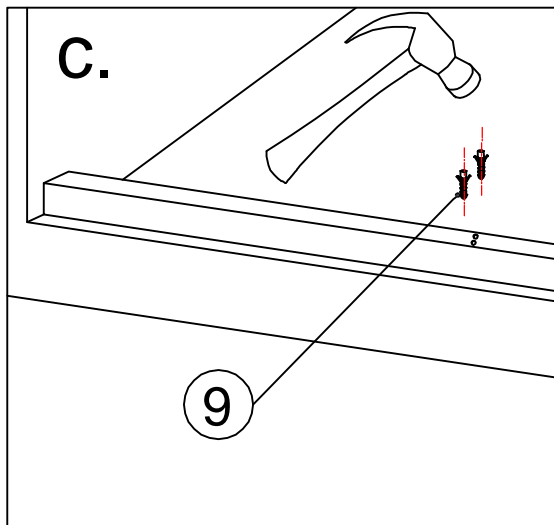
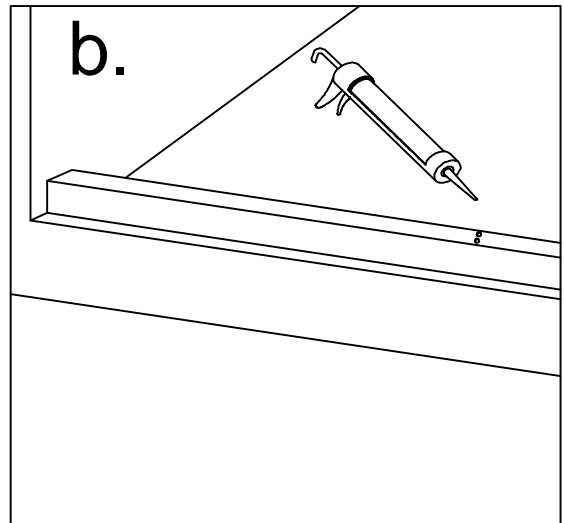
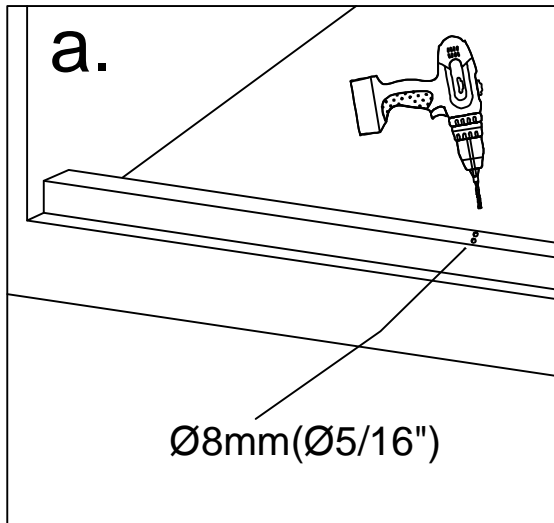


Fig 8

7. Drill the holes on the shower base using Ø8mm(Ø5/16") drill bit and apply silicone into the holes, insert the Wall Anchors (9).
 Mount the Bottom Guide (10) to the shower base using the Screw M5×30 (8).

Please see Fig 8 for details

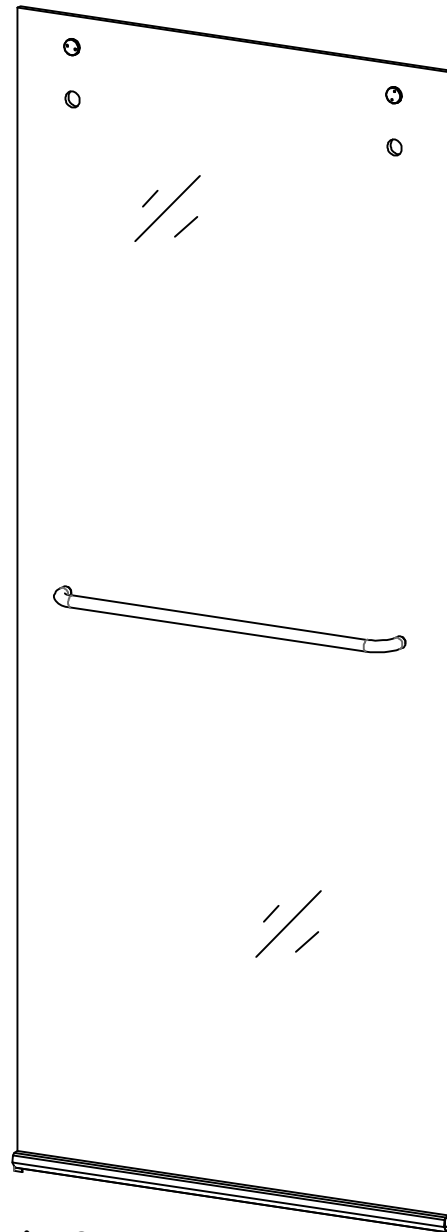
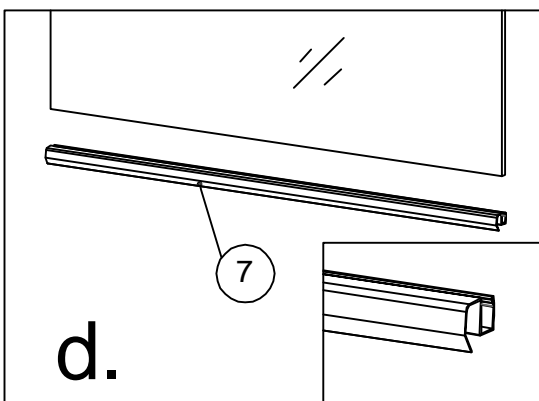
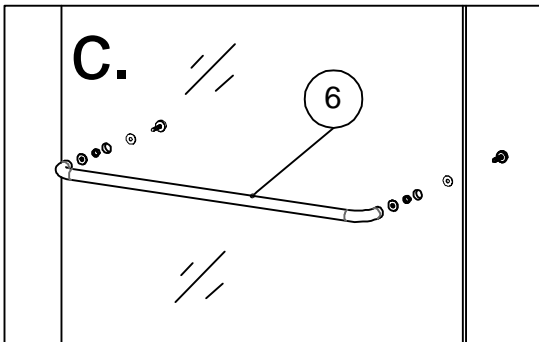
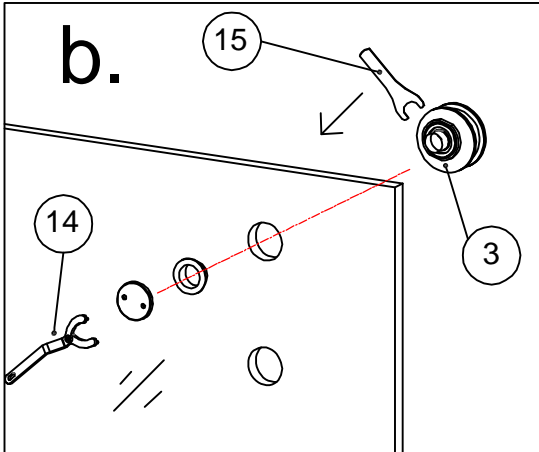
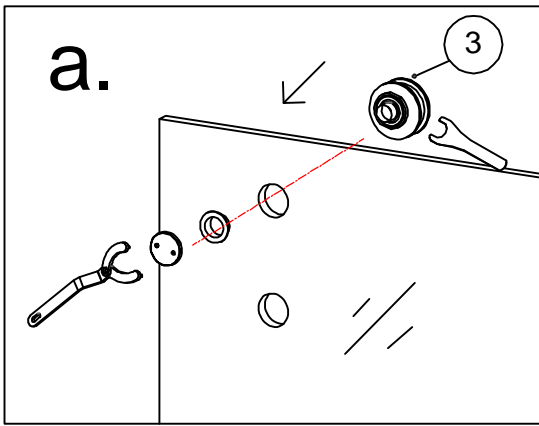


Fig 9

9. Loosen the Rollers (3) screws and install the Rollers to the Glass Doors (4).
 Install the Towel Bars (6) to the Glass Doors.
 Place the Bottom Sweeps (7) to the bottom edge of the Glass Doors.

Please see Fig 9 for details

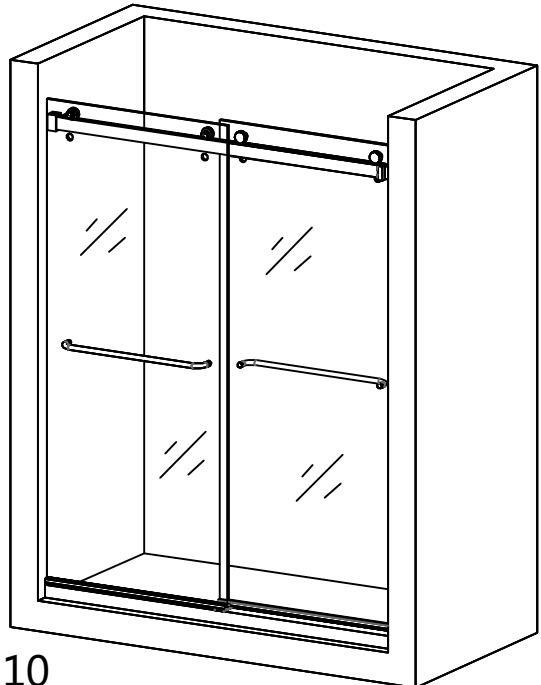
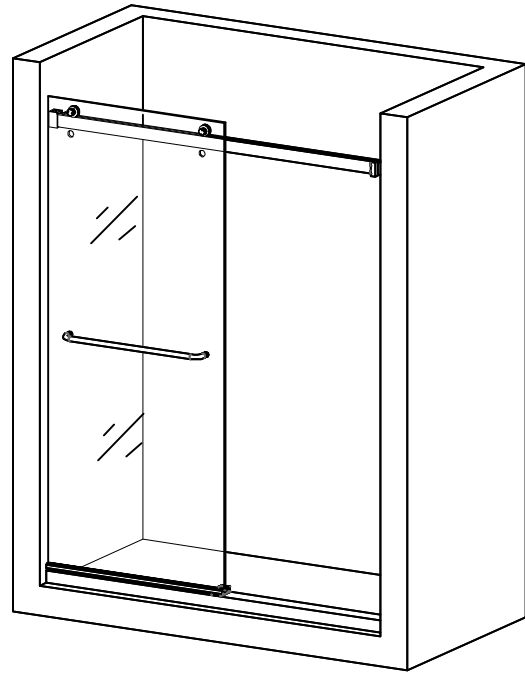
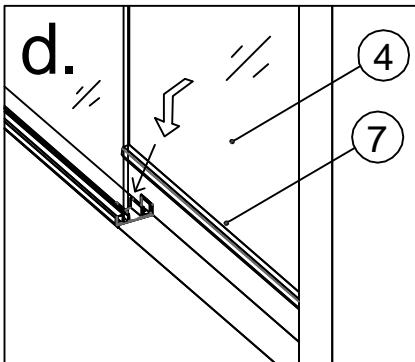
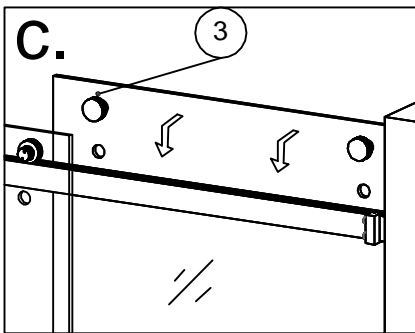
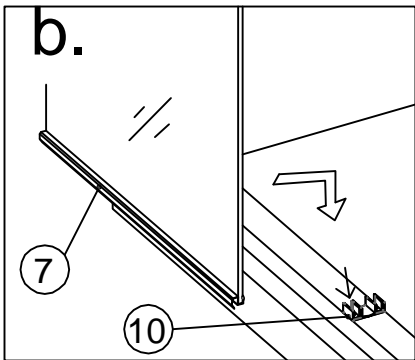
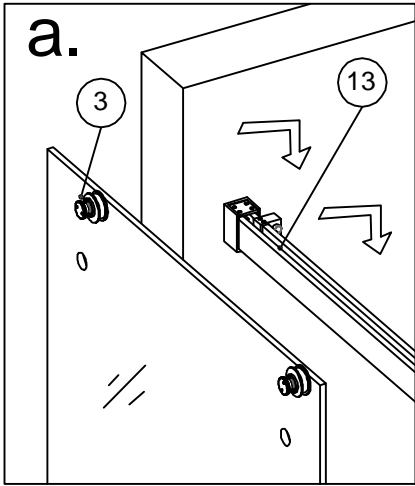
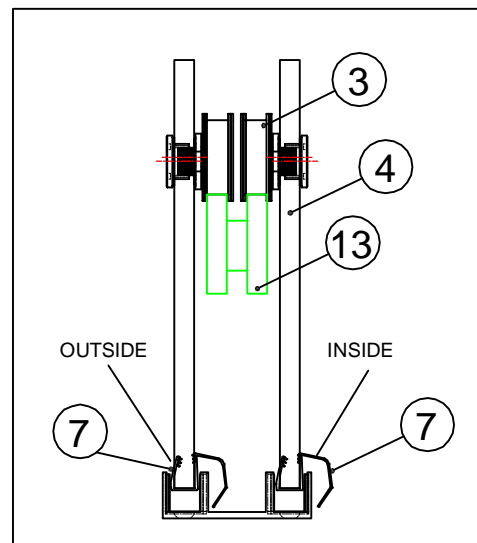


Fig 10



10. Hang the Glass Door installed with Rollers, Handles and Bottom Sweeps to the Header Bar (13). Make sure to place the bottom edge of the Glass Door to the groove of the Bottom Guide (10).

Please see Fig 10 for details

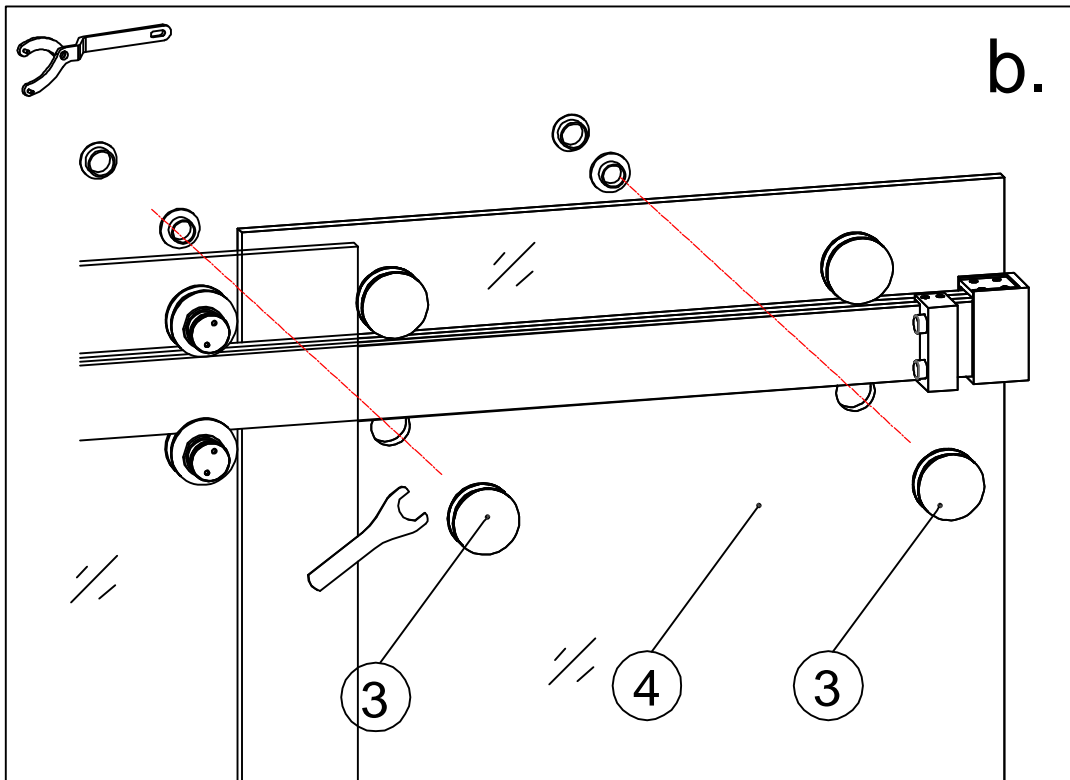
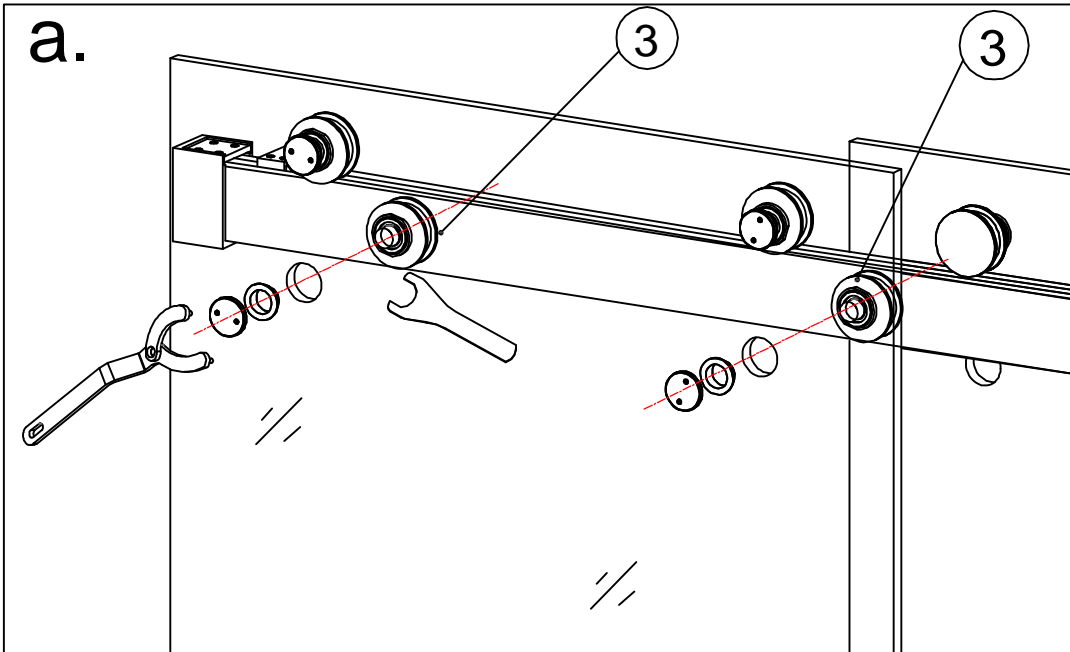


Fig 11

11. Install the rest Rollers (3) to the Glass Doors (4)

Please see Fig 11 for details

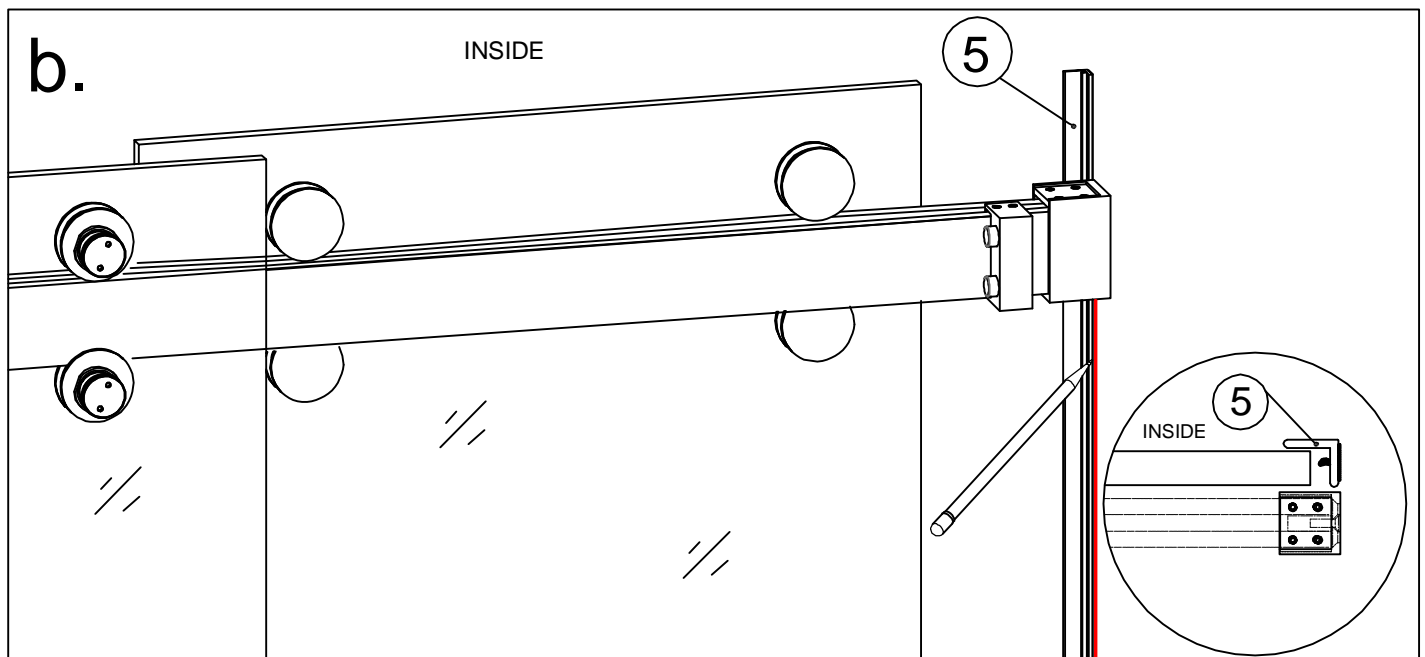
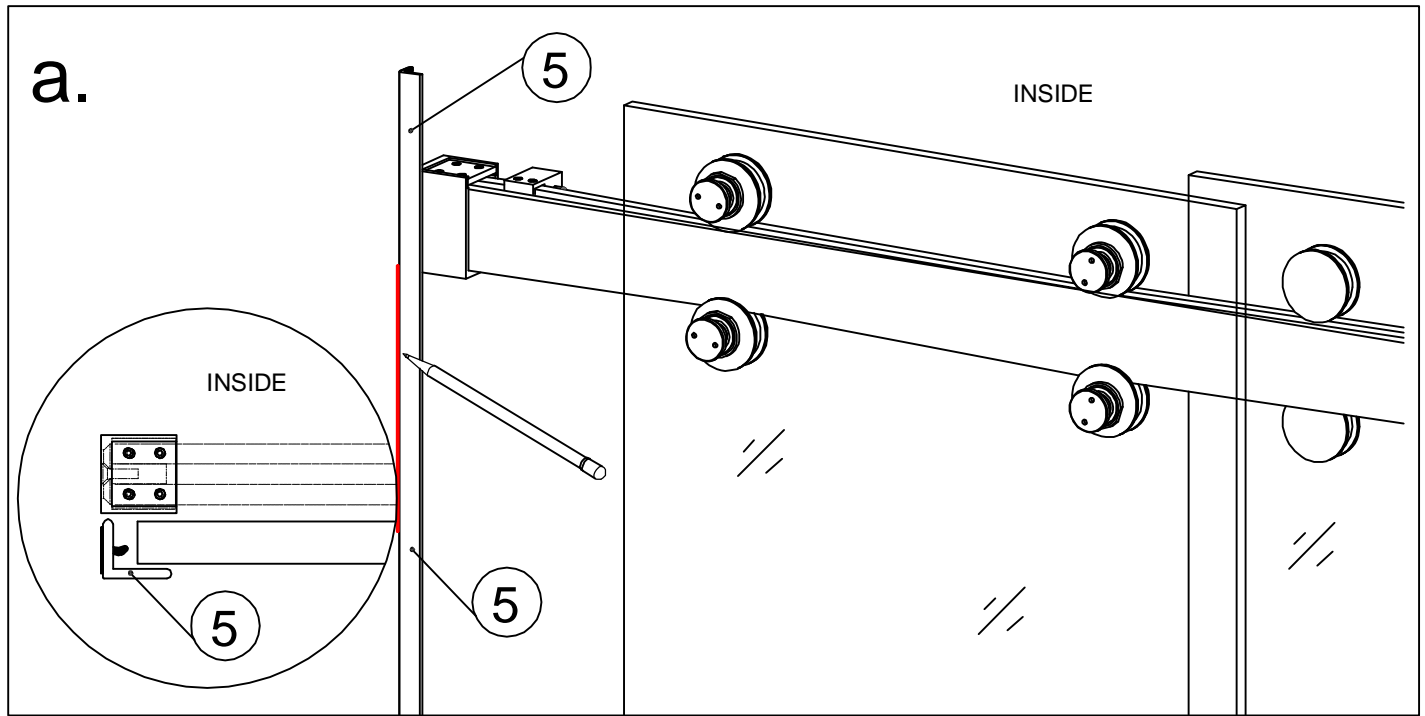


Fig 12

12. Place the L Seals (5) to the wall, slide the glass door to the wall and make sure that the glass door will hit the L Seal and mark down the location of the L Seal.

Please see Fig 12 for details

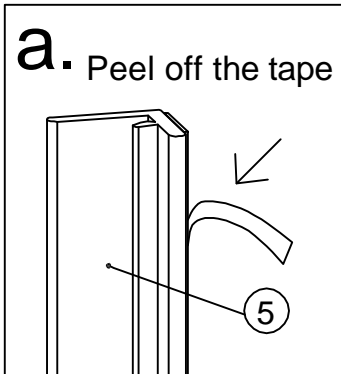
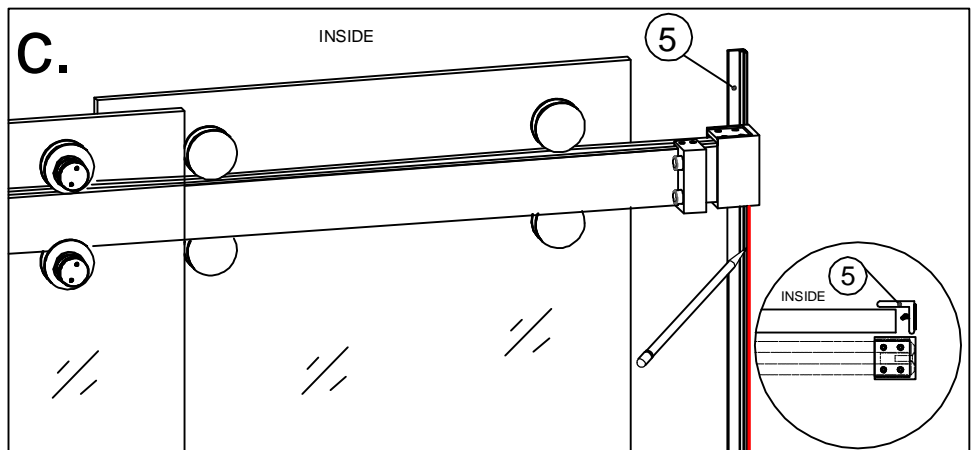
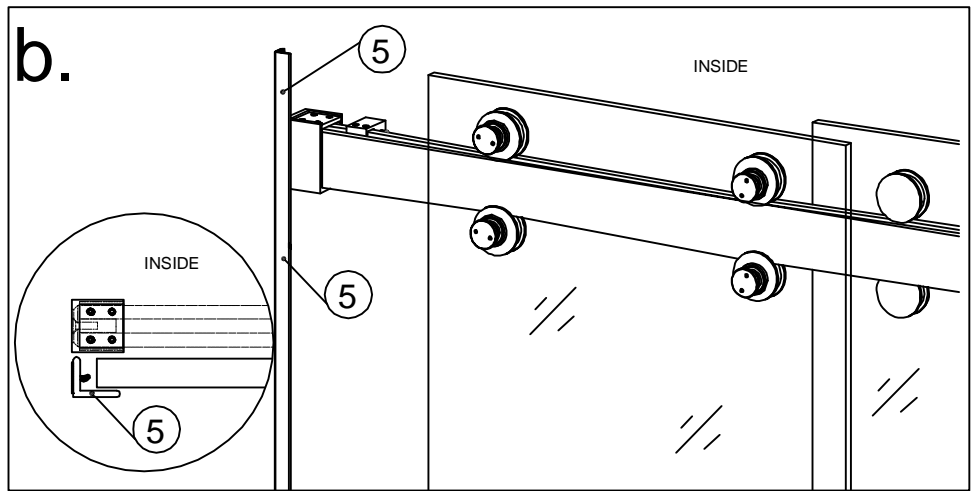
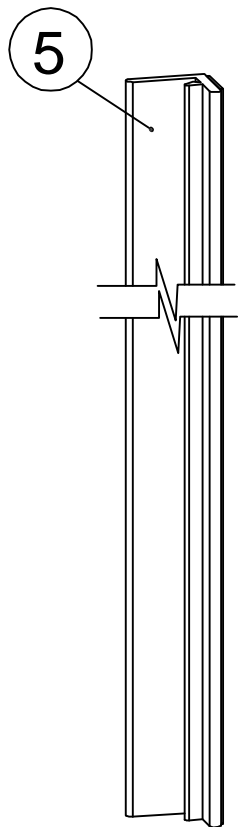


Fig 13

13. Peel off the tape on the L Seal (5) and put the L Seal against the wall on the marked location.

Please see Fig 13 for details

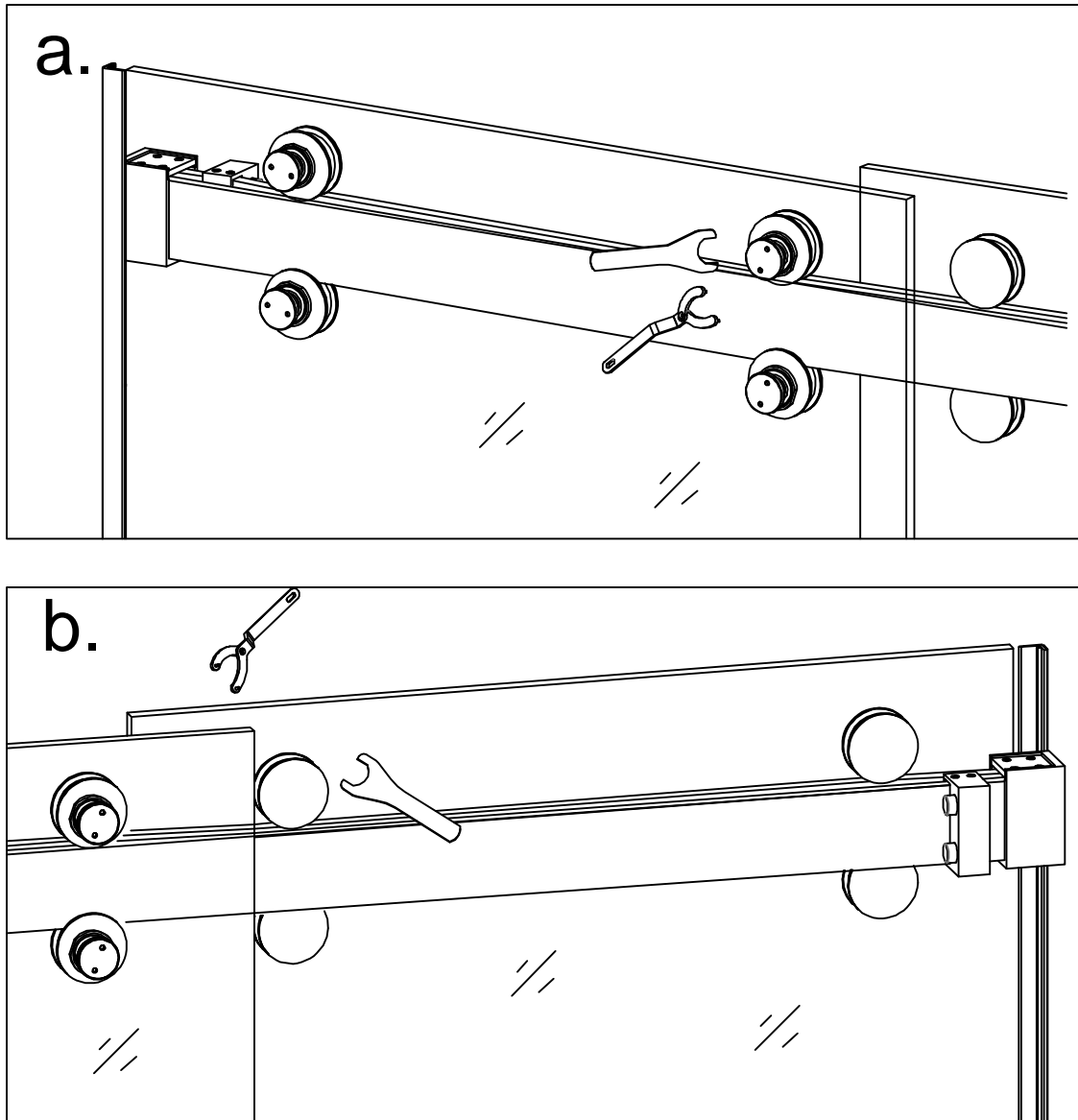


Fig 14

14. Use the Adjustment Key and Spanner to adjust the Rollers (3), make sure that the Glass Doors (4) slide smoothly and the doors will hit the L Seal in position.

Please see Fig 14 for details