




















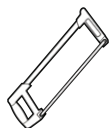


### Parts

ITEM	PART #	QTY	DESCRIPTION		ITEM	PART #	QTY	DESCRIPTION	
A	882	1	Tub Track with Vinyl T- Fin		L	145	2	90-Degree Bracket	
B	884	2	Wall Jamb		M	122	4	#6 x 1/4" Phillip Pan MS	
C	113	6	Plastic Wall Anchor		N	148	1	Glass Block	
D	110	6	#8 x 1 1/2" Pan Head Screw		O	153	1	Bottom Guide	
E	880	2	Tub Header		P	ETB	2	Towel Bar	
F		1	Glass Panel		Q	119	5	#6 x 1/2" Pan Head Screw	
G	185	4	Vinyl Jamb Bumpers		R	888	1	90-Degree Tub Post	
H	115	4	#6 x 3/4" Pan Head Screw		S	891	1	180-Degree Tub Post	
I	116	4	#6 x 32-3/8" Hex Head Screw		T	210	1	Sill	
J	132	4	Roller Bearing		U	886	4	Hanger Bracket - Attached	
K	VM-4	1	Wall Channel Vinyl						

# Tools

---



Hacksaw



Philips Screwdriver



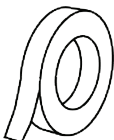
Level



#32 and 3/16" Drill Bit



Drill



Masking Tape



Straight Edge



Tape Measure



Silicone



Mallet



Safety Glasses

## Installation Notes

---

- Unpack your unit carefully. Lay out and identify all parts using the instruction sheets as a reference. Before discarding the carton, check for any small hardware bags.
- If any parts are damaged or missing, refer to the description noted in the instructions when contacting your dealer for replacements.
- Please wear safety glasses whenever drilling or cutting.
- Handle the glazed panels carefully; tempered glass is difficult to break, but the sharp corners of the panels can damage tile and floor coverings.
- Before installing, check the tub rim for level and both walls for plumb. If either are out of plumb more than 3/8", you may want to contact your dealer for tapered fillers which can be used to level tub track or plum the side jambs.



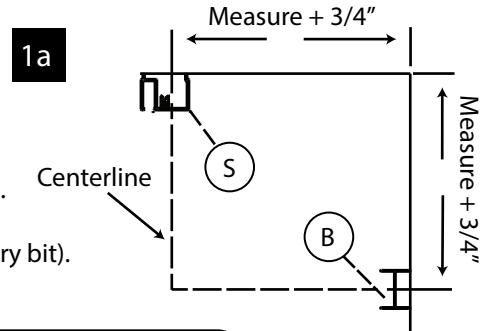
**Caution: Tempered glass cannot be cut or drilled**

# 1.

## MARKING for POSTS

### Step 1a.

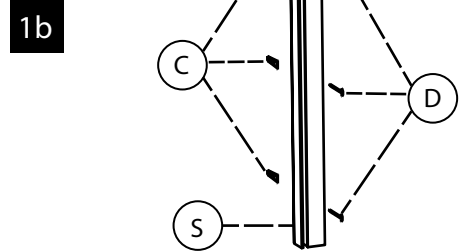
- Measure from the wall to the center of the 180-degree post (S), add 3/4" to determine the outside dimension.
- Plumb 180-degree post (S). Mark holes and remove the 180-degree post (S).
- Drill marked holes with a 3/16" drill bit (for tile or marble use a 3/16" masonry bit).



**Note:** Attachments to fiberglass or acrylic can be made in two ways: if reinforcement is built into the wall of the unit, drill three 1/8" diameter holes and install the screws directly into the reinforcement.  
If wall is not reinforced, drill 3/16" holes and install plastic wall anchors (C).

### Step 1b.

- Secure 180-degree post with three #8 X 1 1/2" pan head screws (D).

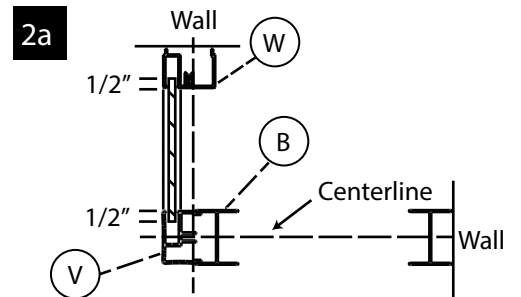


# 2.

## POSITIONING WALL POSTS

### Step 2a.

- Insert sill (X) 1/2" into 180-degree post (W).
- Press 90-degree post (V) and attach wall jamb (B) into sill (X) 1/2".
- Make sure 90-degree post and wall is on centerline of enclosure.

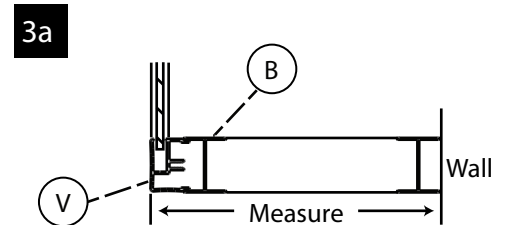


# 3.

## PREPARING the TUB TRACK

### Step 3a.

- Measure from wall to outside edge of 90-degree tub post (V).
- Take this measurement and subtract 1 5/8" and cut tub track (A) to that dimension.
- Pull off 90-degree tub post (V) and wall jamb (B). Position the tub track in the center of the tub rim and press it against wall jamb (B) with the tall leg facing the exterior.

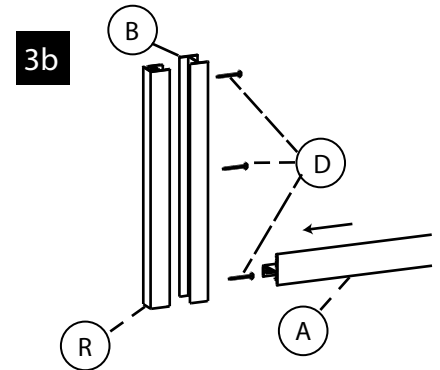


### 3.

#### SETTING the TUB TRACK with VINYL CONTINUED

##### Step 3b.

- Press both wall jambs (B) into position over the tub track. Masking tape can be used to temporarily hold parts in place.

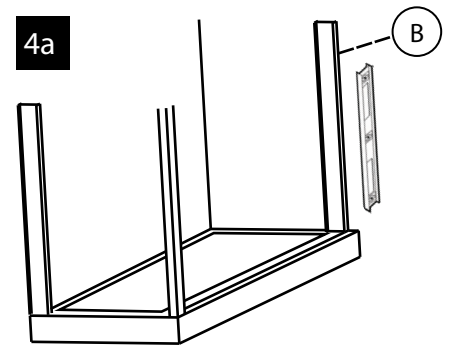


### 4.

#### MARKING for WALL JAMB

##### Step 4a.

- Use a level to plumb both wall jambs (B), then mark the pre-drilled hole locations on the wall. You can use a center punch or pencil.
- Lightly mark along both sides of the tub track (A) with a pencil. Remove all parts and drill the walls using a 3/16" drill bit (for tile or marble use 3/16" masonry bit). Insert wall anchors (C) into holes. A center punch helps locate the holes accurately.



**Note:** Attachments to fiberglass or acrylic can be made in two ways: if reinforcement is built into the wall of the unit, drill six 1/8" diameter holes and install the screws directly into the reinforcement.

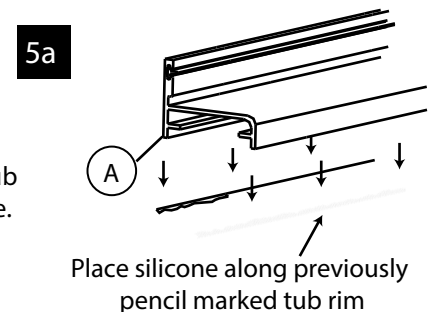
If wall is not reinforced, drill 3/16" holes and install plastic wall anchors (C).

### 5.

#### SECURING the TUB TRACK

##### Step 5a.

- Before replacing the tub track (A), force a slight downward bow in extrusion. This will ensure that the track fits tight to the tub.
- Run two beads of silicone inside the penciled mark on the tub rim. Place the tub track in the exact position you marked in step 4a and set it firmly in the silicone.
- Silicone the end where tub track (A) meets the wall.
- Replace wall jamb (B) and attach to wall with #8 X 1 1/2" screws (D). Do not over tighten jamb screws.

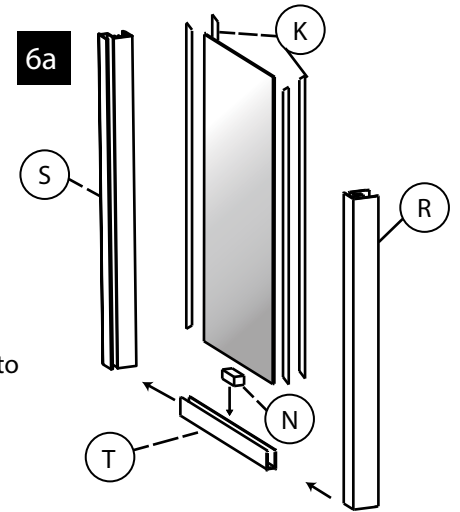


## 6.

### POSITIONING GLASS PANEL

#### Step 6a.

- Insert sill (T) into 180-degree post (S). Press 90-degree post (R) into sill. Place glass block (N) in the middle of sill (T).
- Position glass panel (F) so the 180-degree and 90-degree posts overlap glass by 1/2".
- Cut the vinyl slightly longer than the opening to prevent shrinkage.
- Press the interior vinyl into place. Use a wood block to tap the exterior vinyl into place starting at both ends and working towards the middle

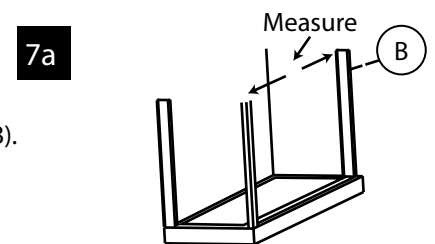


## 7.

### FITTING the TUB HEADER

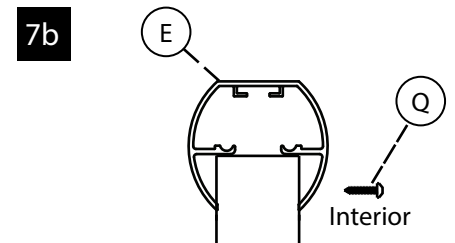
#### Step 7a.

- Measure from wall-to-wall at the top of the wall jambs (B), then mark and cut the tub header (E). Set the header in place over the top of the wall jambs (B).



#### Step 7b.

- From the inside of the enclosure, drill one hole (#32 drill bit) through the header and the wall jamb on each end of the header.
- Attach the header to the tub jamb using two #6 X 1/2" screws (Q).

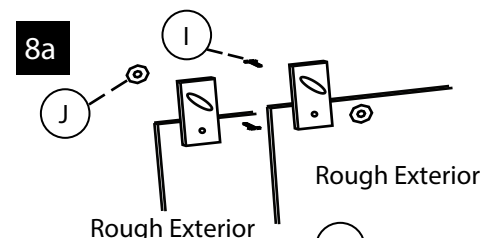


## 8.

### INSTALL the GLASS PANELS

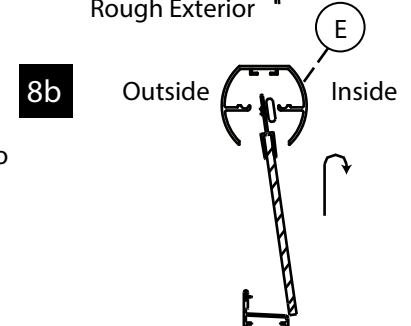
#### Step 8a.

- To install panels, attach the four nylon roller bearings (J) to the door panels using four #6-32 X 3/8" hex head screws (I) centered in the slots in the top fins. Patterned glass is always installed with the rough surface of the glass to the exterior of the unit.



#### Step 8b.

- To set slider glass in place, hold interior panel inside of tub, insert rollers up into header and lower into roller track.

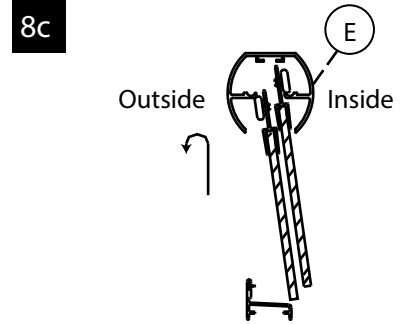


# 8.

## INSTALL the GLASS PANELS CONTINUED

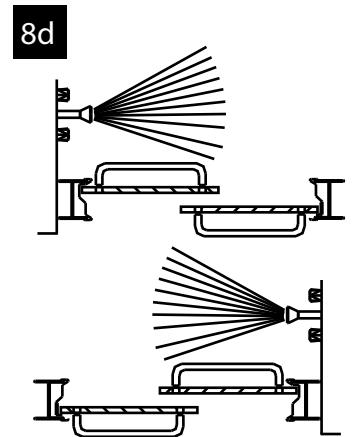
### Step 8c.

- Next, insert lower end of exterior slider panel in front of interior slider panel by pushing lower ends far enough in to allow clearance on inside edge of tub. Avoid roller-to-roller contact while lifting panel into place.



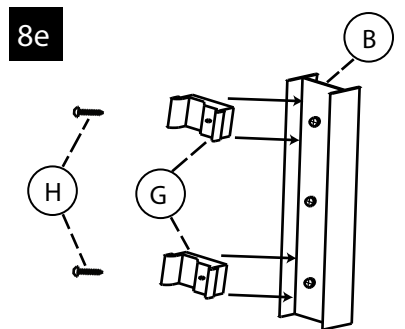
### Step 8d.

- The interior panel should **always** be positioned closest to the showerhead for maximum waterproofing, as shown in illustration.



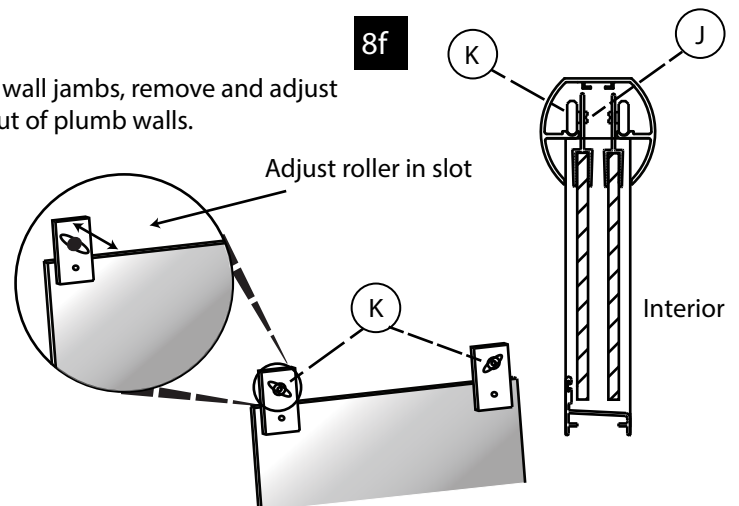
### Step 8e.

- Next, push vinyl jamb bumpers (G) into side jambs (B) approximately 1" below top screw and bottom screw.
- Align the slot in the bumper with the outer rail of the slider panel and mark holes through the bumper and drill with #32 drill bit.
- Screw bumper in with #6 X 3/4" pan head screw (H). Repeat on other side. **Do not** over tighten or rubber can tear rubber with movement.



### Step 8f.

- If the door panels are not parallel to their respective wall jambs, remove and adjust rollers up or down in their slots to compensate for out of plumb walls.

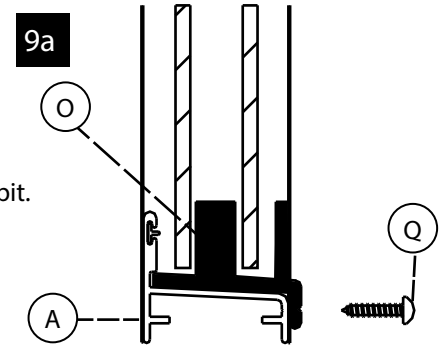


# 9.

## CENTER GUIDE

### Step 9a.

- Locate the nylon bottom guide (O) in the center of the tub track (A) and place the bottom guide into place.
- Using the factory holes as a template, drill through hole into track with # 32 drill bit.
- Attach center guide with #6 X 1/2" pan head screw (Q).

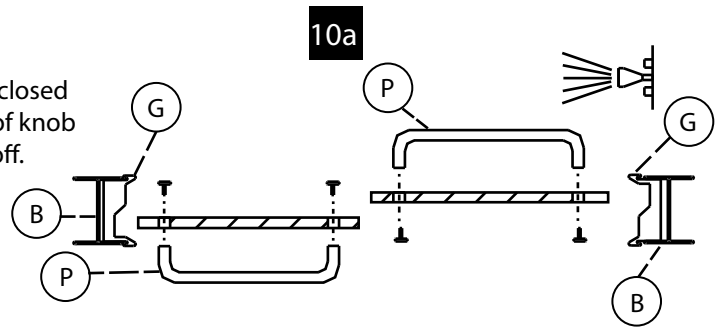


# 10.

## TOWEL BAR and HANDLE

### Step 10a.

- Units include two Euro towel bars. These should be enclosed in a sealed box with all components attached. If back of knob hits when rolling enclosure, take clear plastic spacers off. Install on glass using the diagram below as reference.



# 11.

## ADDING SILICONE

### Step 11a.

- Silicone each end of tub tracks (A) where they meet the wall jambs (B). Run a bead of silicone along interior and exterior edge of track.
- We recommend you let silicone set for 24 hours before using shower

