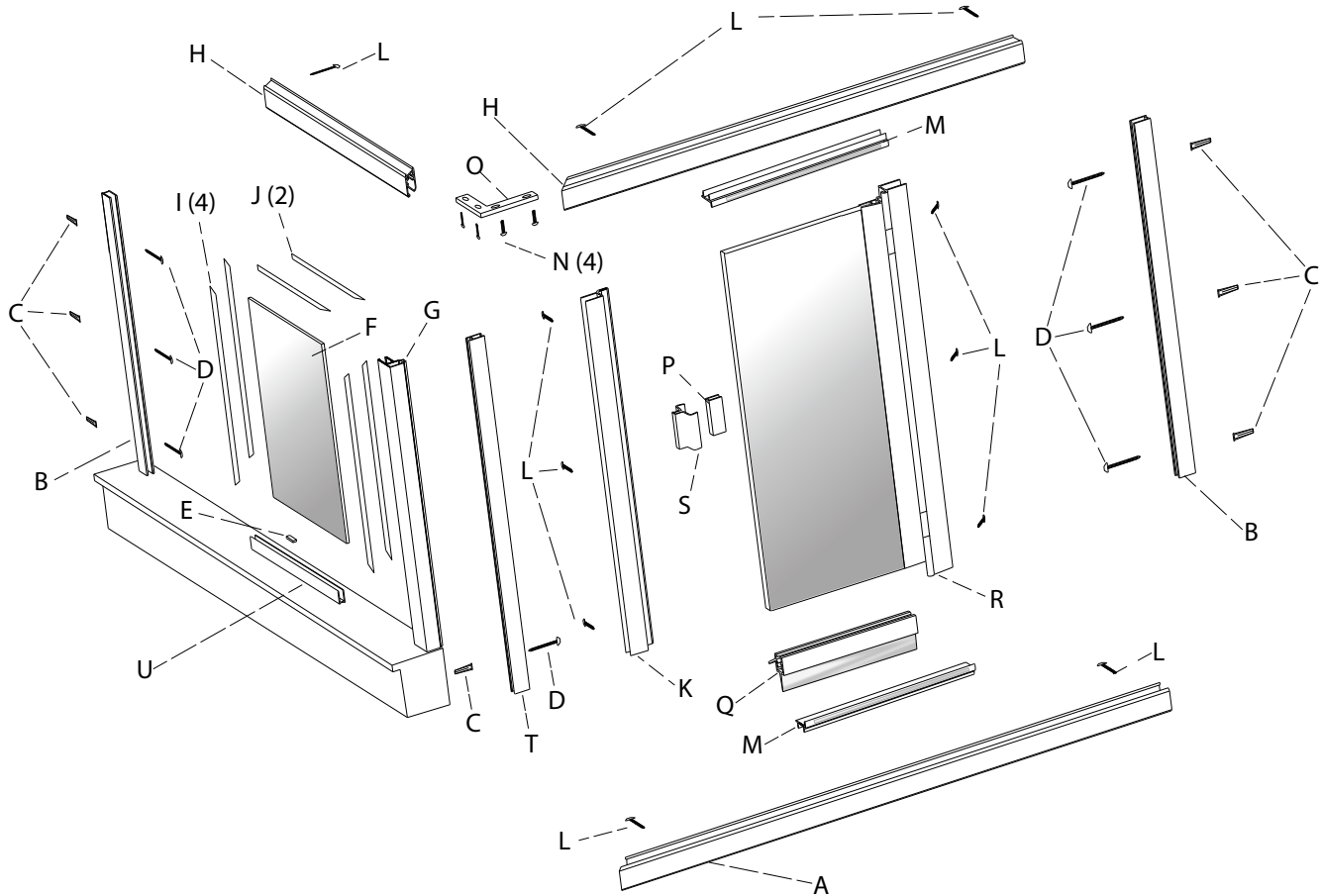

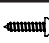
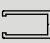






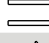













# Installation Instructions

## Crystal Series 2400 / 2450 with Buttress Return Panel



### Parts

ITEM	PART #	QTY	DESCRIPTION		ITEM	PART #	QTY	DESCRIPTION	
A	401 C	1	Stall Curb		L	119	1	#6 x 1/2" Pan Head Screws	
B	203	2	Wall Channel		M	402	11	Curb Fillers	
C	113	7	Plastic Wall Anchors		N	122	2	#6 x 1/4" Philips Pan Type F	
D	110	7	#8 x 1 1/2" Pan Head Screw		O	145	4	90-Degree Bracket	
E	147	1	Setting Block		P	VM-24	1	Handle Vinyl	
F		2	Glass Panel		Q	VM-12	1	Frameless Drip Vinyl	
G	409	1	90-Degree Snap Post		R	201	1	Hinge Jamb with Door Attached	
H	401 H	2	Stall Header		S	261	1	Handle with Magnet	
I	VM-4	4	Wall Channel Vinyl		T	410	1	180-Degree Snap Post	
J	VM-3	2	Stall Header and Curb Vinyl		U	210	1	Friction Sill	
K	202	1	Latch Jamb with Magnet						

## Tools

---



Hacksaw



Philips Screwdriver



Level



3/16" and 1/8" Drill Bit



Drill



Safety Glasses



Tape Measure



Masking Tape

## Installation Notes

---

- Unpack your unit carefully. Lay out and identify all parts using the instruction sheets as a reference. Before discarding the carton, check for any small hardware bags.
- If any parts are damaged or missing, refer to the description noted in the instructions when contacting your dealer for replacements.
- Please wear safety glasses whenever drilling or cutting.
- Handle the glazed panels carefully; tempered glass is difficult to break, but the sharp corners of the panels can damage tile and floor coverings.
- Before installing, check the tub rim for level and both walls for plumb. If either are out of plumb more than 3/8", you may want to contact your dealer for tapered fillers which can be used to level tub track or plumb the side jambs.



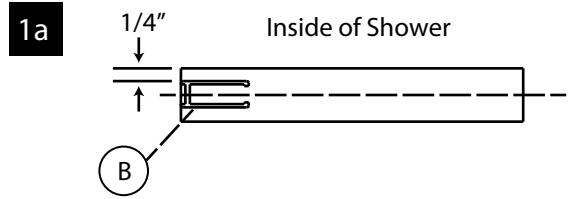
**Caution: Tempered glass cannot be cut or drilled**

# 1.

## WALL CHANNEL for BUTTRESS

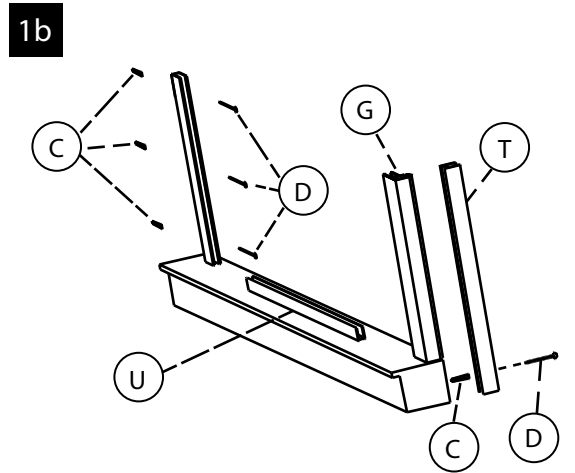
### Step 1a.

- Measure 1/4" from the inside edge of the buttress. Place the edge of the wall channel (B) on the 1/4" mark. Mark hole locations on wall and remove wall channel (B) from buttress.
- Drill the walls with 3/16" drill bit (for tile drill using a 3/16" masonry bit). Insert plastic wall anchors (C) into drilled holes.



### Step 1b.

- Replace the wall channel (B) and secure to wall with six #8 X 1 1/2" pan head screws (D). Press friction sill (U) into wall channel (B) then press 90-degree snap post (G) with 180-degree snap post (T) attached into friction sill (U).
- Plumb 90-degree snap post (G) with 180-degree snap post (T) attached and mark hole on bottom. Drill the walls with 3/16" drill bit (for tile drill using a 3/16" masonry bit).
- Insert plastic wall anchors (C) into drilled hole.

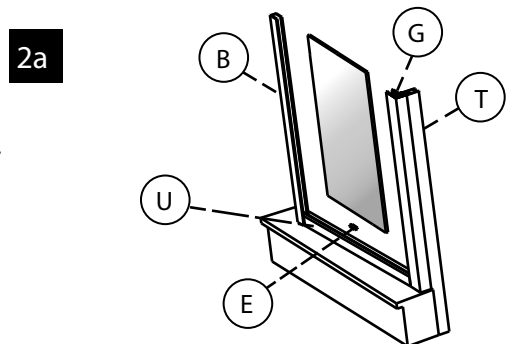


# 2.

## BUTTRESS GLASS

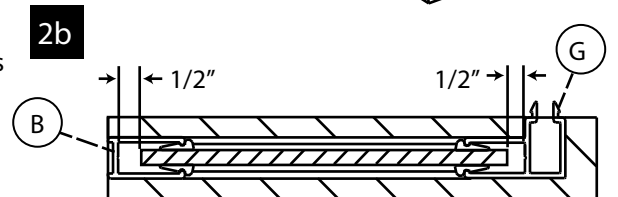
### Step 2a.

- Press friction sill (U) into wall channel (B). Place setting block (E) into friction sill so that the setting block will fit in the middle of glass panel (F). Place glass into friction sill (U) and wall channel (B).



### Step 2b.

- Next, press 90-degree snap post (G) over friction sill (T) and glass so the glass goes 1/2" into the 90-degree snap post.

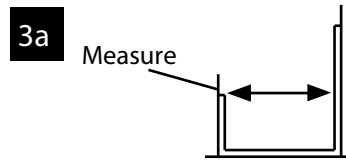


### 3.

#### STALL CURB and WALL CHANNEL

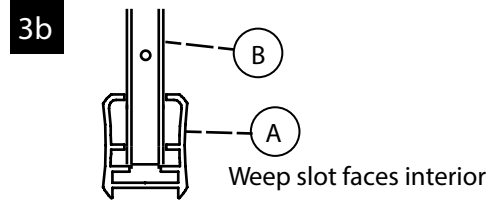
##### Step 3a.

- Measure the opening from the buttress wall to the full wall and cut the stall curb (A) to fit the full width of the opening. Position the curb in the center of the opening with the weep slots facing interior and mark its position.



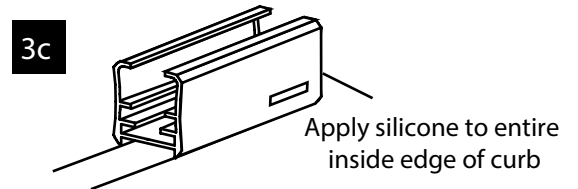
##### Step 3b.

- Press the wall channels (B) into the curb (A). Plumb the wall channels (B) and mark the hole locations on the wall.
- Remove all parts and drill the wall for plastic wall anchors using 3/16" drill bit. Push the wall anchors (C) into the drilled holes.



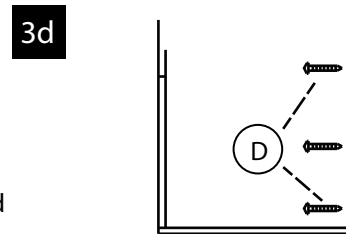
##### Step 3c.

- Apply silicone to underside of curb (A) and replace curb in previous location. Silicone both ends of curb in area where it meets the wall.



##### Step 3d.

- Replace wall channels (B) and secure to wall with three #8 X 1 1/2" pan head screws (D).
- Replace 90-degree snap post (G) with 180-degree snap post (T) attached into stall curb (A). Secure with one #8 X 1 1/2" pan head screw.



### 4.

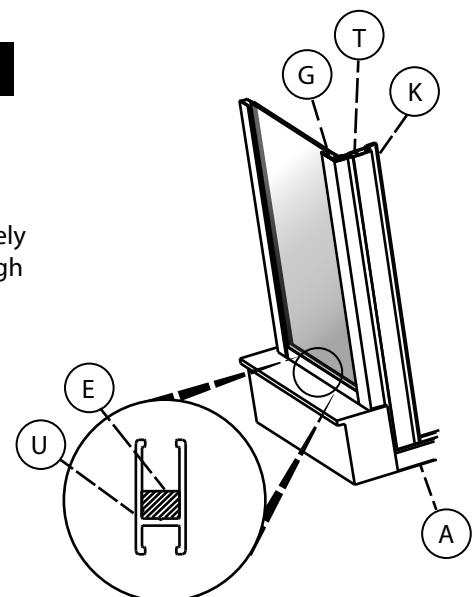
#### SETTING the GLASS PANEL

##### Step 4a.

- Place setting block (E) in the curb (A) as shown. The setting block should be positioned to support glass panel (F) in the middle of panel.
- Set the glass panel so it rests on the setting block and fits approximately 1/2" into the 90-degree snap post (G). If obscure glass is used, the rough surface must be turned to the exterior.

**Note:** The 1/2" glass bite may be varied from 1/4" to 3/4" to facilitate out of plumb walls.

4a

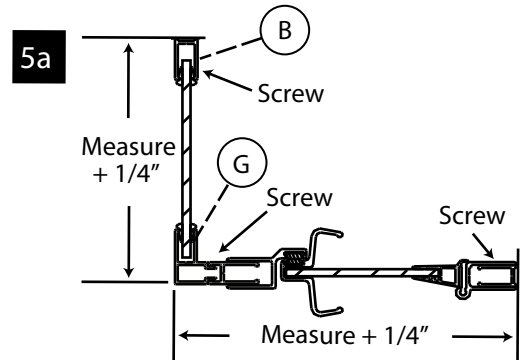


# 5.

## SECURING the HEADER

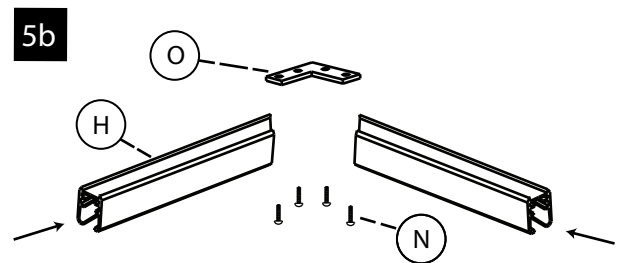
### Step 5a.

- Plumb the 90-degree snap post (G) and measure the opening at the top of the wall channels (B) to the 90-degree post and add 1/4". Cut the header (H) to fit measurement. Do this for both ends.



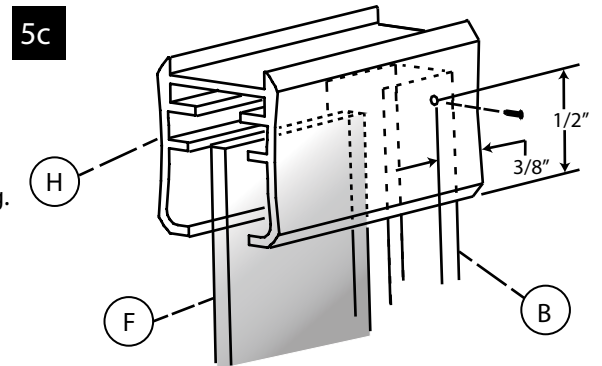
### Step 5b.

- Assemble the two headers (H) by sliding the 90-degree bracket (O) into mitered ends of the header.
- Secure the 90-degree plate with four allen head #6 X 1/4" set screws (N). Do not over tighten.



### Step 5c.

- Place header (H) over vertical posts; secure header to wall channels by drilling holes with a 1/8" drill bit through header & wall channels from inside of shower.
- Slide glass panel (F) away from the wall channels before drilling. The drill bit must not hit the glass.
- Secure with #6 X 1/2" pan head screws (L). Repeat on other side and bottom three corners.
- Reposition the glass panel.



**Note:** Headers (H) come 3" longer to compensate for out of plumb walls. Make sure when cutting to size, you cut the sides of the headers that will be butting up to the wall, **NOT** mitered corners that meet and are secured by the 90-degree bracket (O).

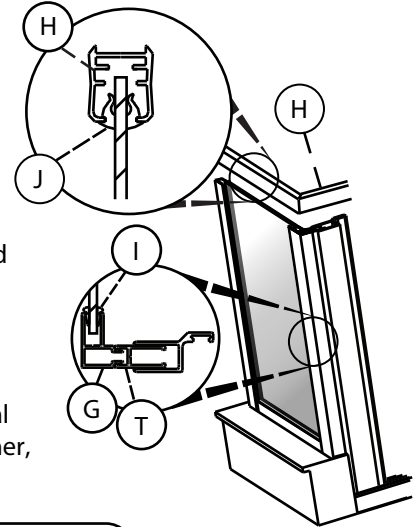
## 6.

### APPLYING the VINYL STRIPS

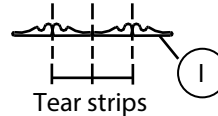
#### Step 6a.

- Inspect the glazing vinyl and note that there are two profiles. The larger profile (J) is installed horizontally and the smaller profile (I) is installed vertically. The horizontal vinyl is installed first.
- Cut the vinyl slightly longer than the opening (this prevents shrinkage). Press the interior vinyl into place.
- Use a wood block to tap the exterior vinyl into place starting at both ends and work towards the middle.
- Install the bottom vinyl in the same manner.
- Install the vertical vinyl being sure the corners fit tightly against the horizontal vinyl. If vinyl is difficult to tap on, lubricate the glass and vinyl with glass cleaner, then press on vinyl.

6a



**Note:** The wall channel vinyl (I) may be provided with four strips in one. Tear each strip off.



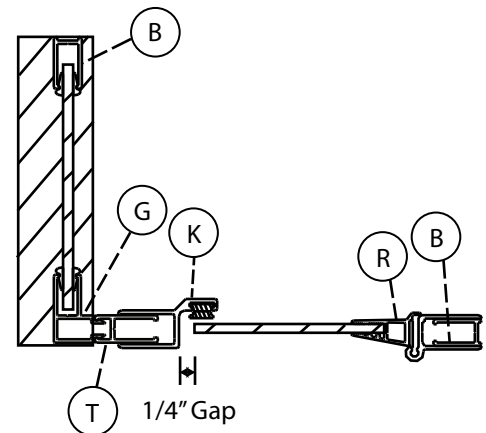
## 7.

### DOOR ADJUSTMENT

#### Step 7a.

- The door is reversible and can swing to the right or left. Decide which way you wish the door to swing (illustration shows hinge right off wall).
- Slide latch jamb (K) over the appropriate post with the long side to the inside.
- Slide hinge jamb with door attached (R) over the appropriate post. The notch in the front of the hinge jamb at the top and bottom slides into curb fillers.
- Close the door so the gap is 1/4" glass edge to latch jamb. Move the door and make any adjustments on the 90-degree post and wall channel.
- Check gap above door so that it is even. Drill, with a #32 drill bit, to top pilot hole on hinge jamb and secure with #6 X 1/2" pan head screw (L); door will stay in place with one screw. Plumb the hinge and latch jambs, remaining five holes.

7a



## 8.

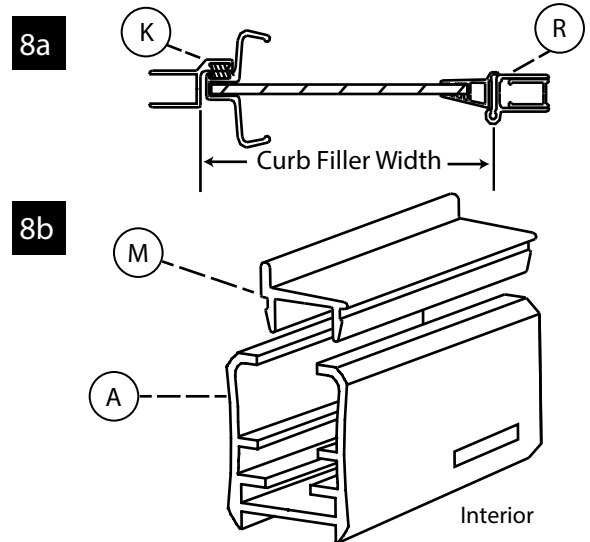
### MEASURE for CURB FILLERS

#### Step 8a.

- Measure between the latch jamb (K) and the wall channel (B).  
Cut curb fillers (M) to this measurement.

#### Step 8b.

- Snap curb fillers into stall header (H) and stall curb (A) with the 1/8" lip to the outside.

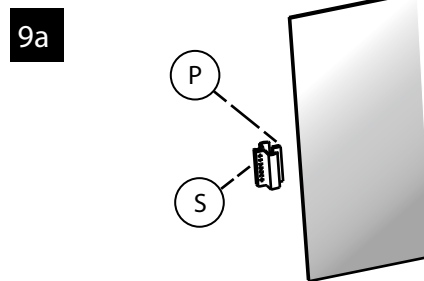


## 9.

### HANDLE ATTACHMENT

#### Step 9a.

- The magnet on the handle (S) must mate with magnet on latch jamb (L).
- Wrap vinyl insert (P) around edge of glass, push handle over vinyl. This goes on hard so there is no movement in handle.

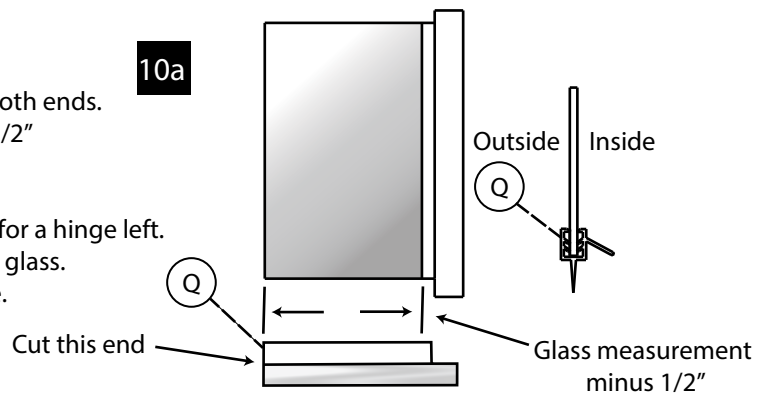


## 10.

### DRIP BAR

#### Step 10a.

- Take vinyl drip bar (Q). Note that there is a notch on both ends. Measure exposed glass at bottom of door. Cut vinyl 1/2" less than exposed glass.
- If door is hinge right, leave right side notch, opposite for a hinge left. Notch part of vinyl slides under rail that is attached to glass. Push up on glass, making sure lip on vinyl faces inside.

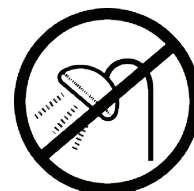


## 11.

### SILICONE SETUP

#### Step 11a.

- Silicone the entire unit where metal meets wall and curb. We recommend you let silicone set for 24 hours before using shower



24hrs